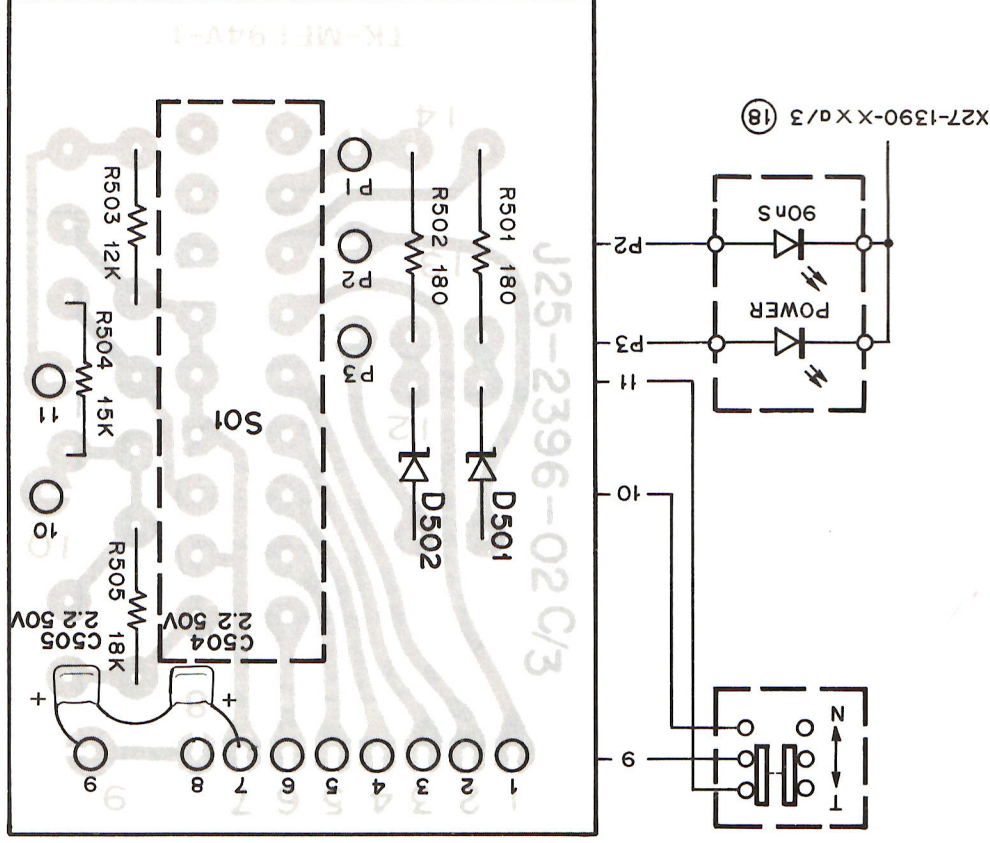
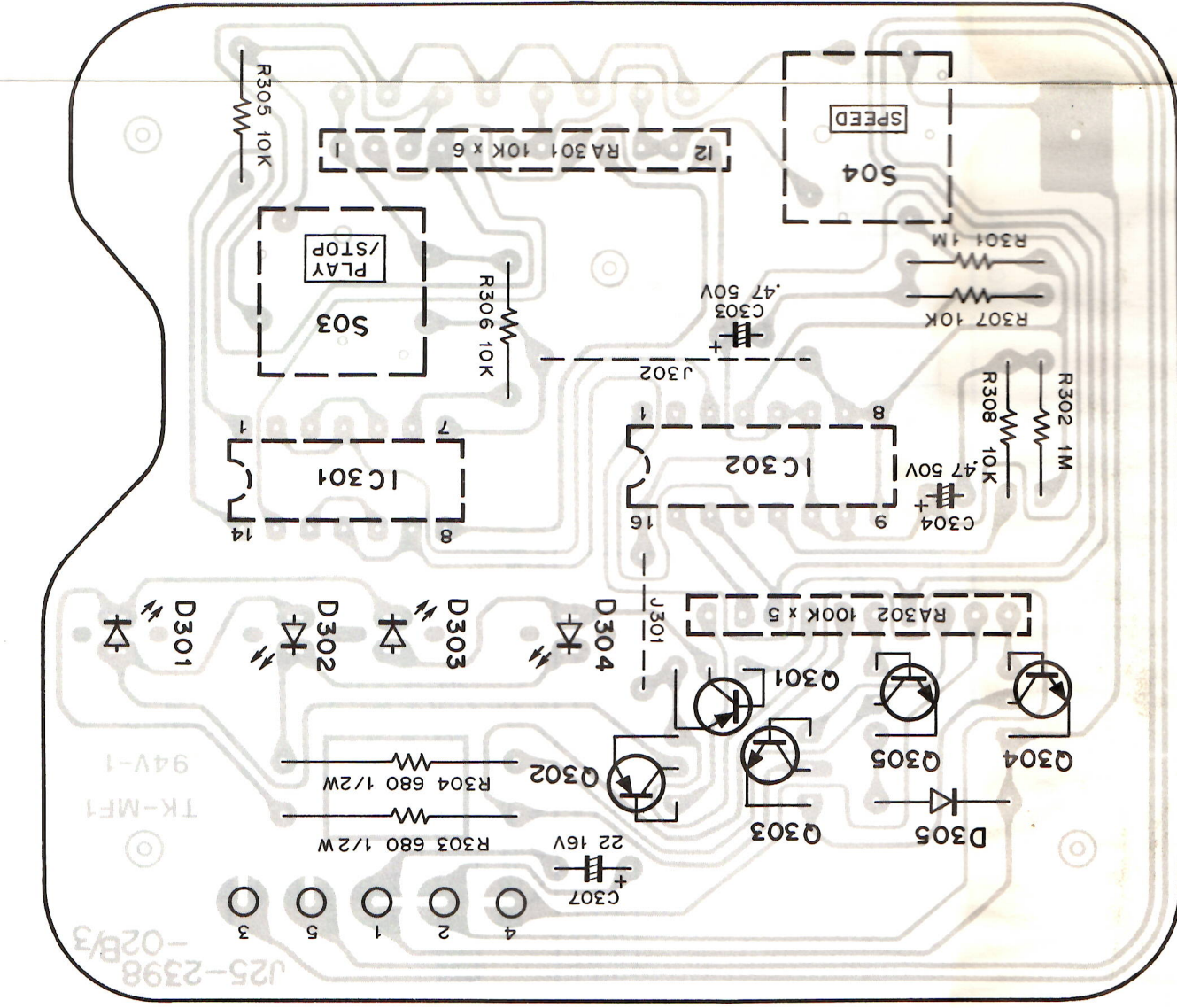


PC BOARD

▼ POWER SUPPLY (X27-1390-xx) Foil side view



D501,502: XZ-100

- Q301,302 : 2SA786FLN(R,S)
- Q303~305 : 2SC2021FLN(R,S)
- IC301 : CD4011BCN, 4011BPC
- IC302 : CD4011BE, MC14011BCP, MC14027BCN, 4027BPC, MC14027BCP, CD4027BE
- D301,303 : PY5505S
- D302,304 : BR5505S
- D305 : 1SS53