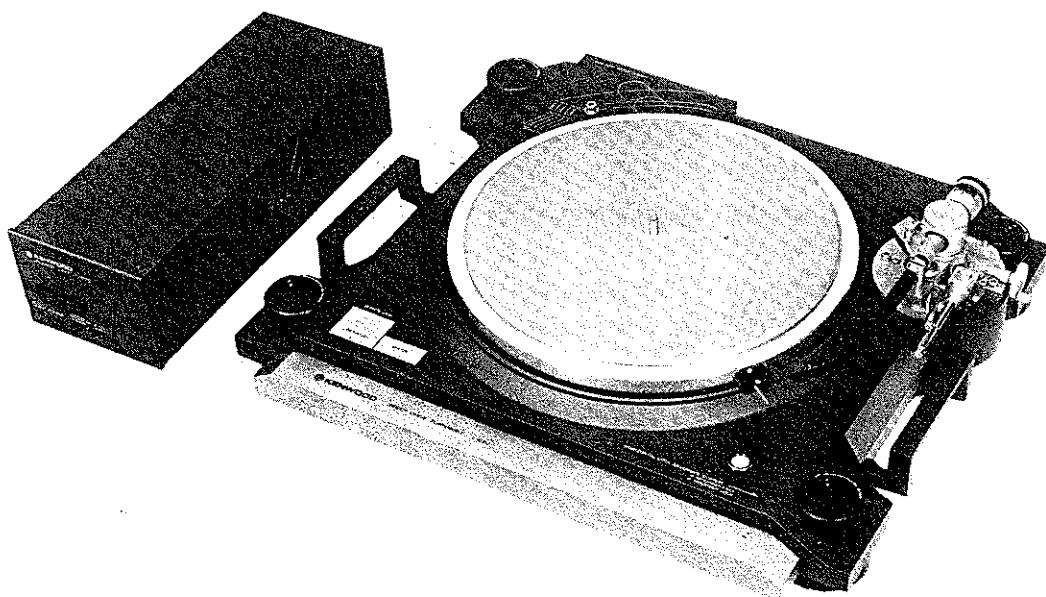


KENWOOD
HI/FI STEREO COMPONENTS

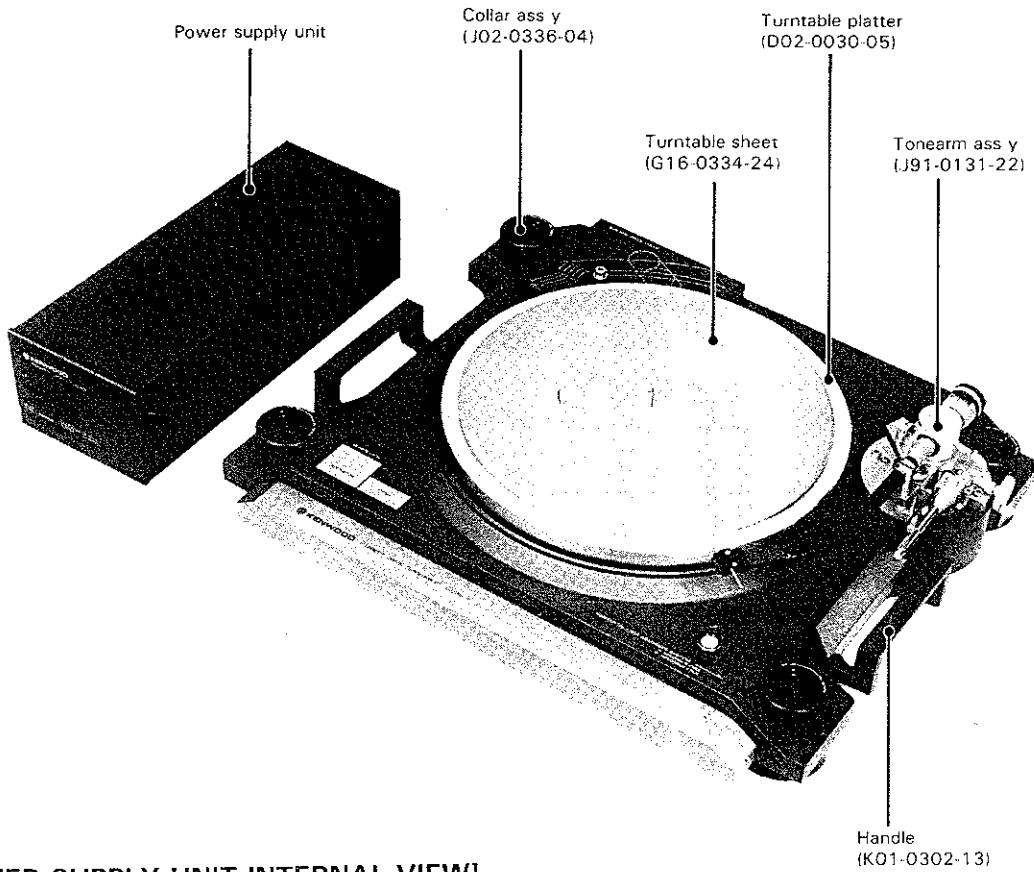
SERVICE MANUAL

L-07D

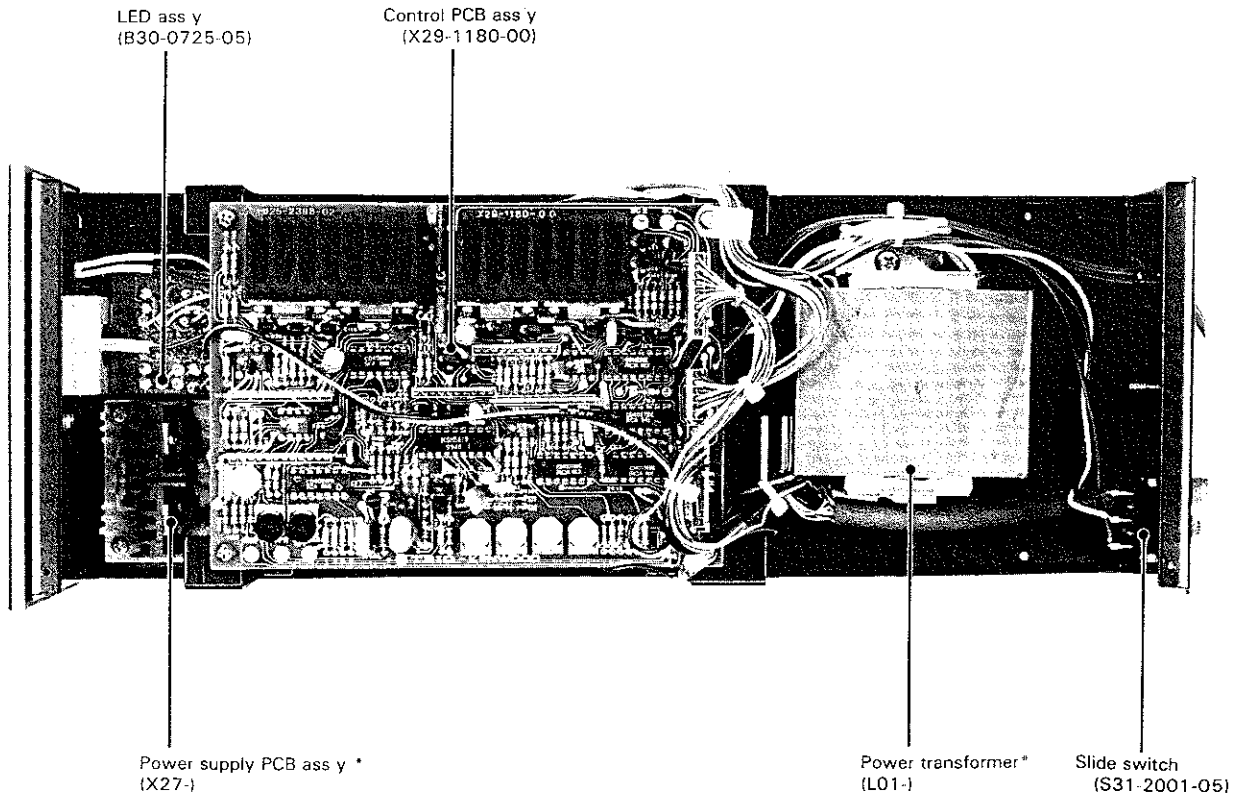


QUARTZ PLL DIRECT DRIVE TURNTABLE

EXTERNAL VIEW



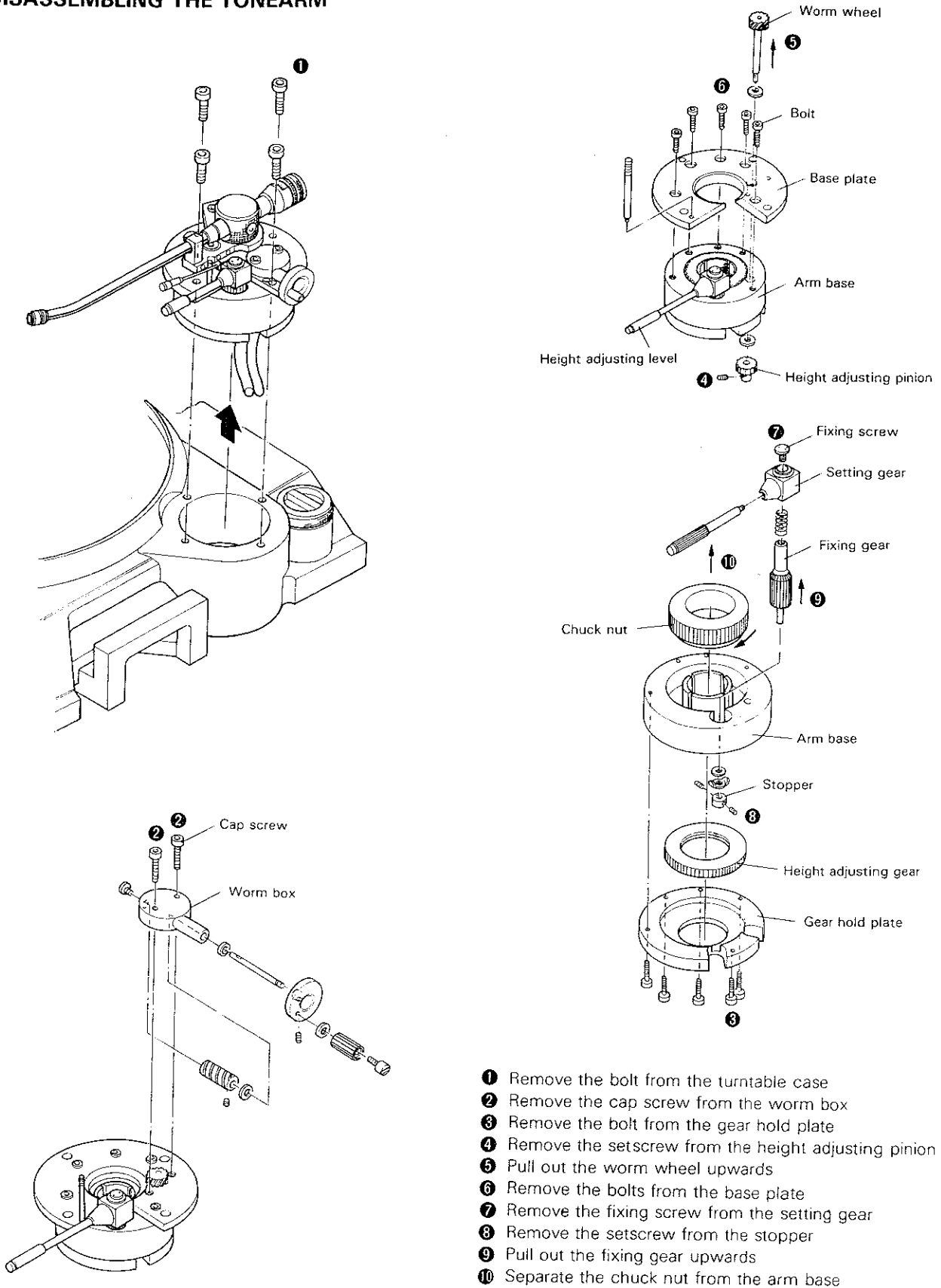
[POWER SUPPLY UNIT INTERNAL VIEW]



* Refer to parts list

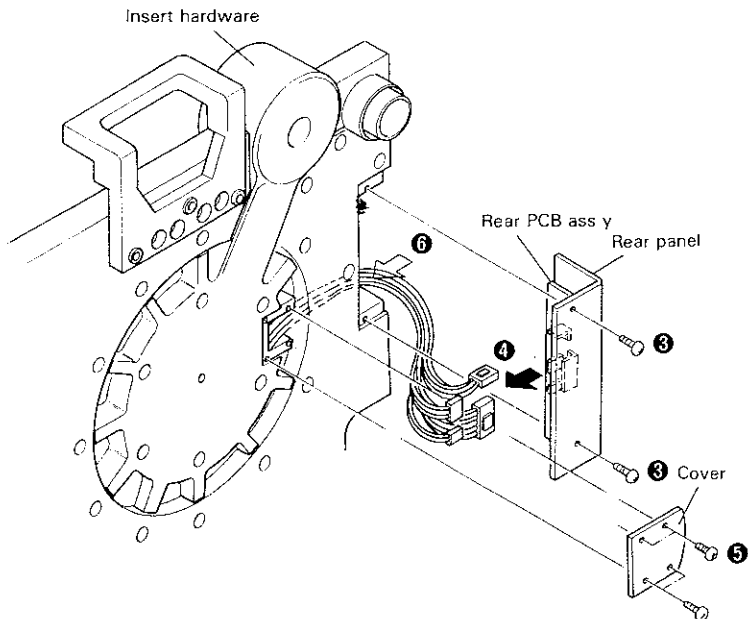
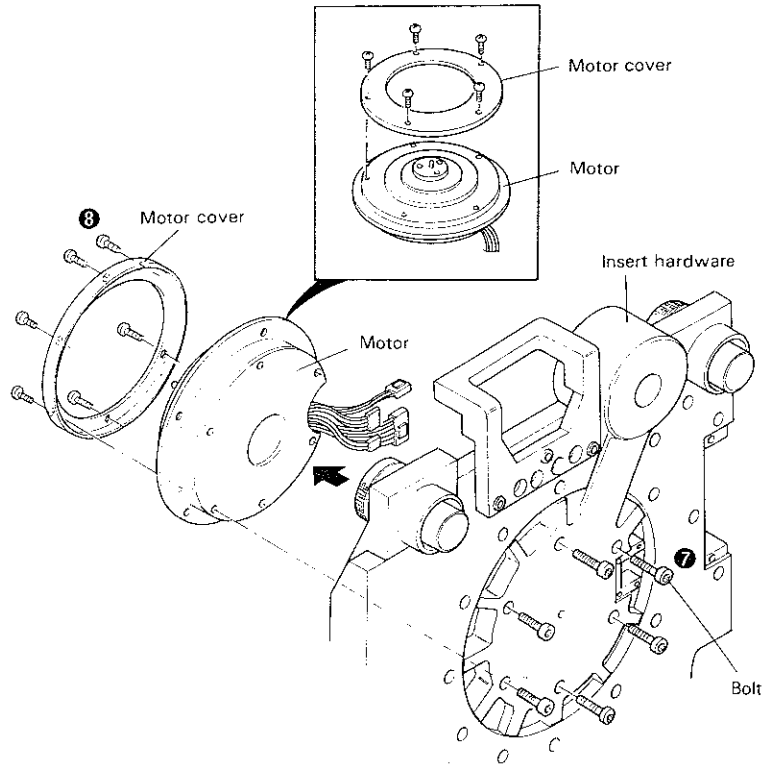
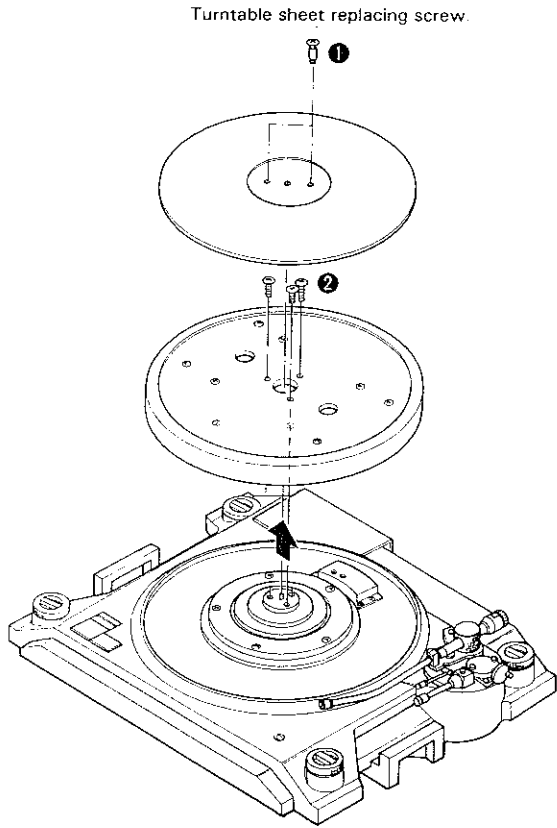
DISASSEMBLY FOR REPAIR

1. DISASSEMBLING THE TONEARM



DISASSEMBLY FOR REPAIR

2. REPLACING THE MOTOR

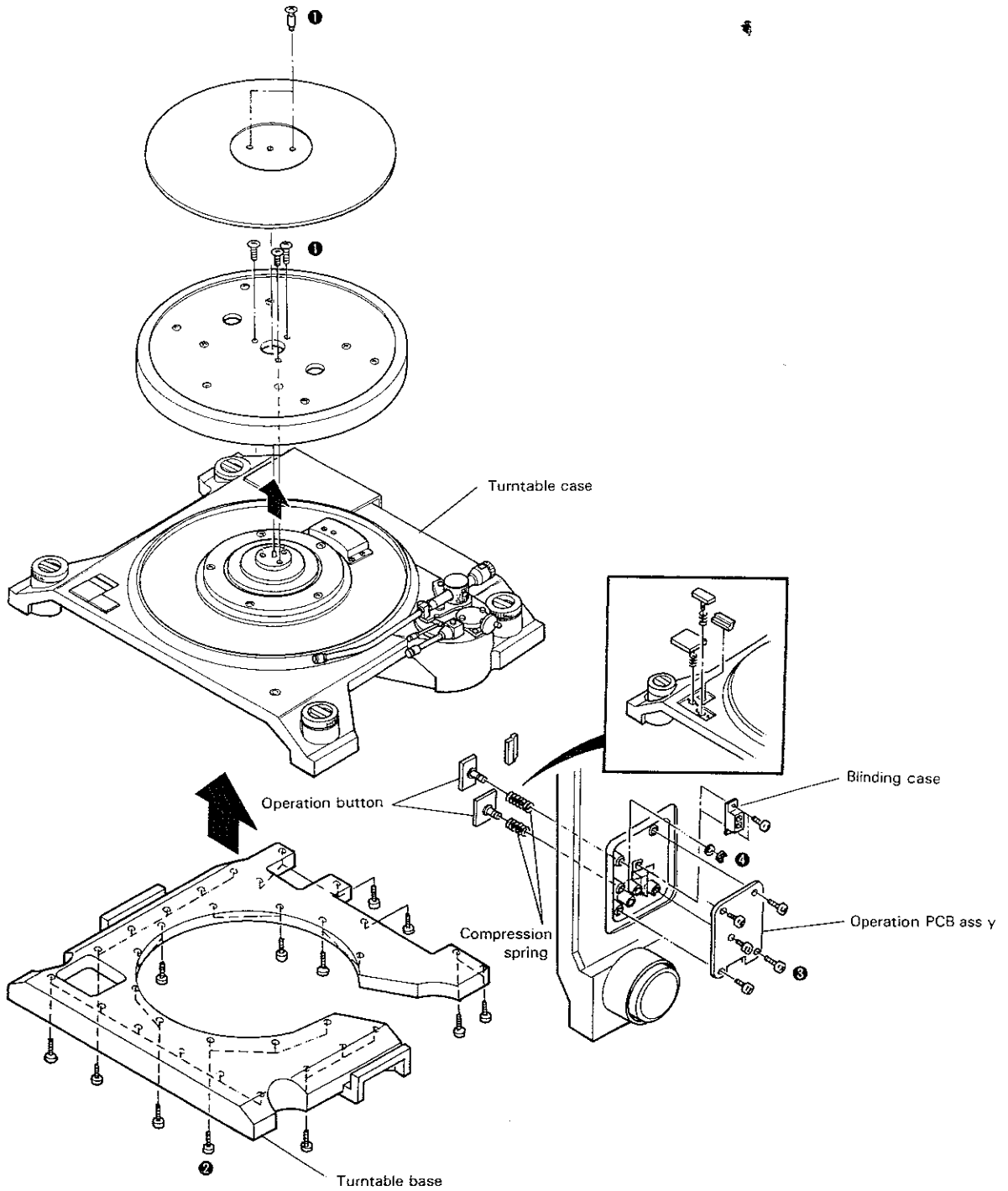


- ① Remove the turntable sheet with the replacing screw
- ② Remove the screws from the turntable platter
- ③ Remove the rear panel from the turntable base
- ④ Pull out the connectors from the rear PCB ass y
- ⑤ Remove the cover from the insert hardware
- ⑥ Insert the connectors into the clearance between the turntable base and the turntable case
- ⑦ Remove the bolts from the insert hardware
- ⑧ Remove the motor cover from the motor

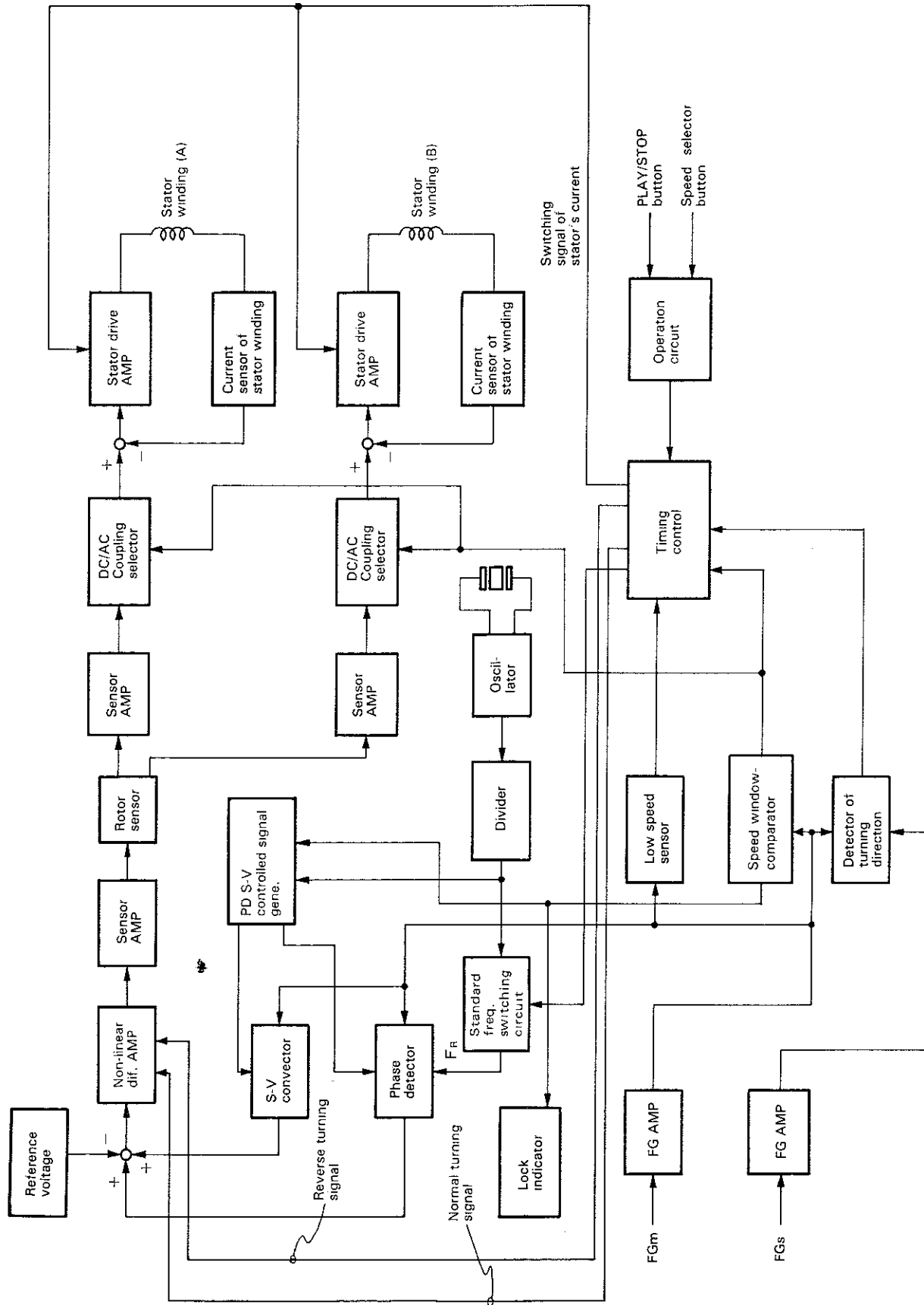
DISASSEMBLY FOR REPAIR

3. CONTROL PCB ASS'Y DETACHMENT

- ❶ Remove the turntable sheet and the turntable platter
- ❷ Remove the screws from the turntable base
- ❸ Remove the screws from the PCB ass'y
- ❹ Remove E ring from the operation button

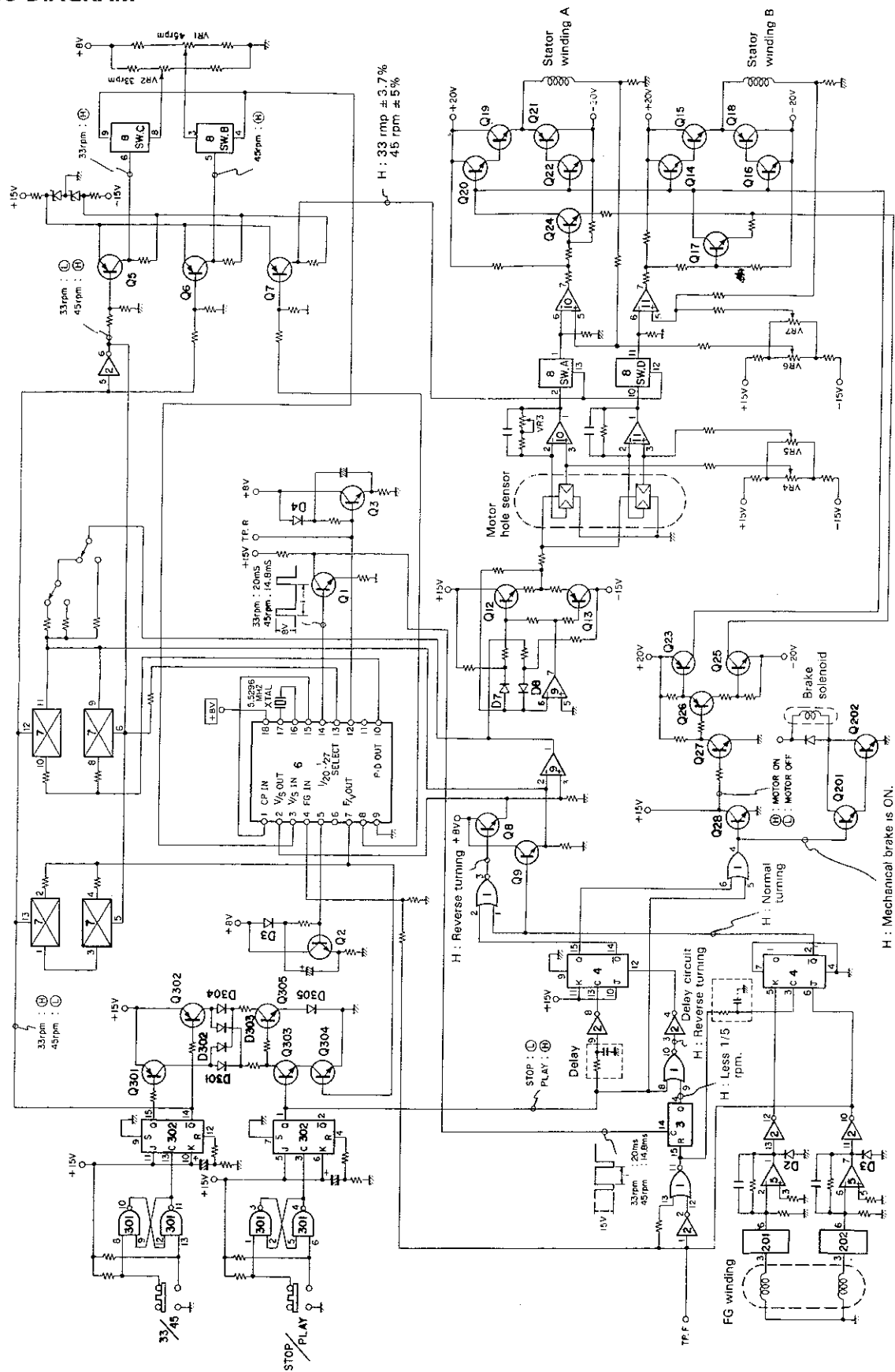


BLOCK DIAGRAM



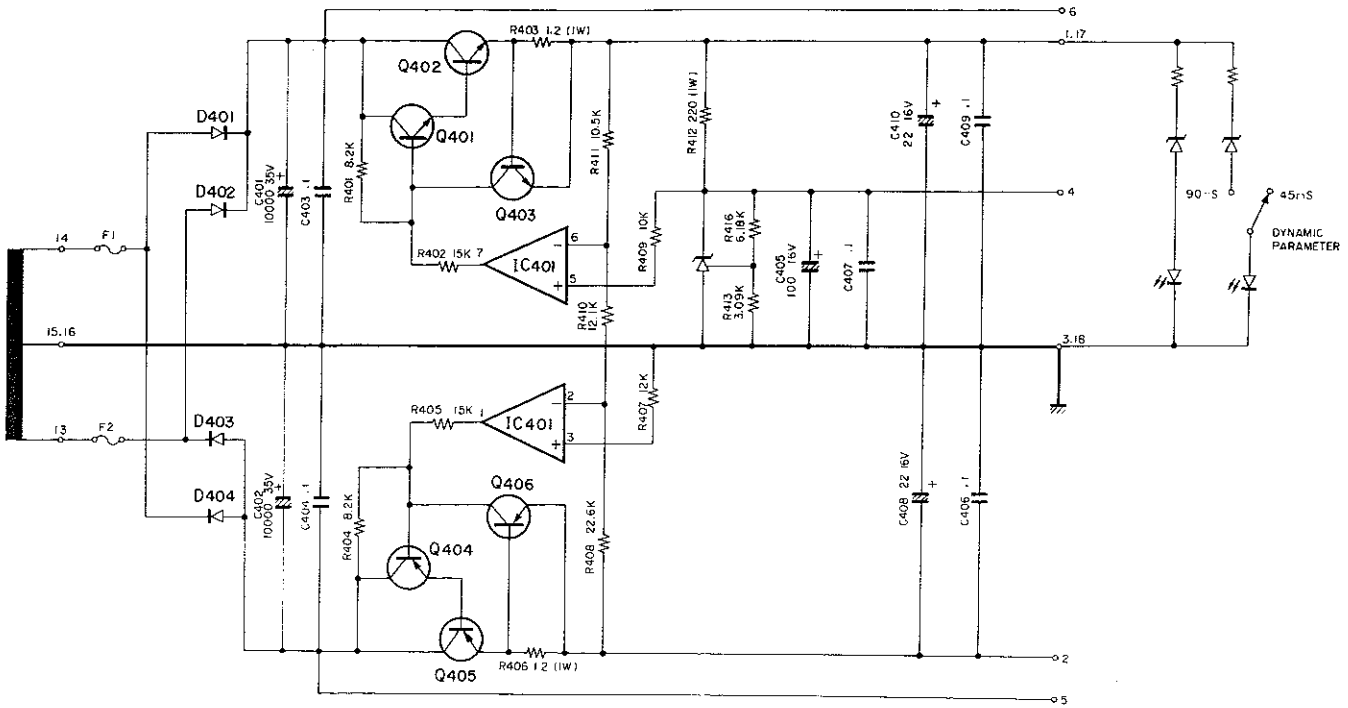
LOGIC DIAGRAM

LOGIC DIAGRAM

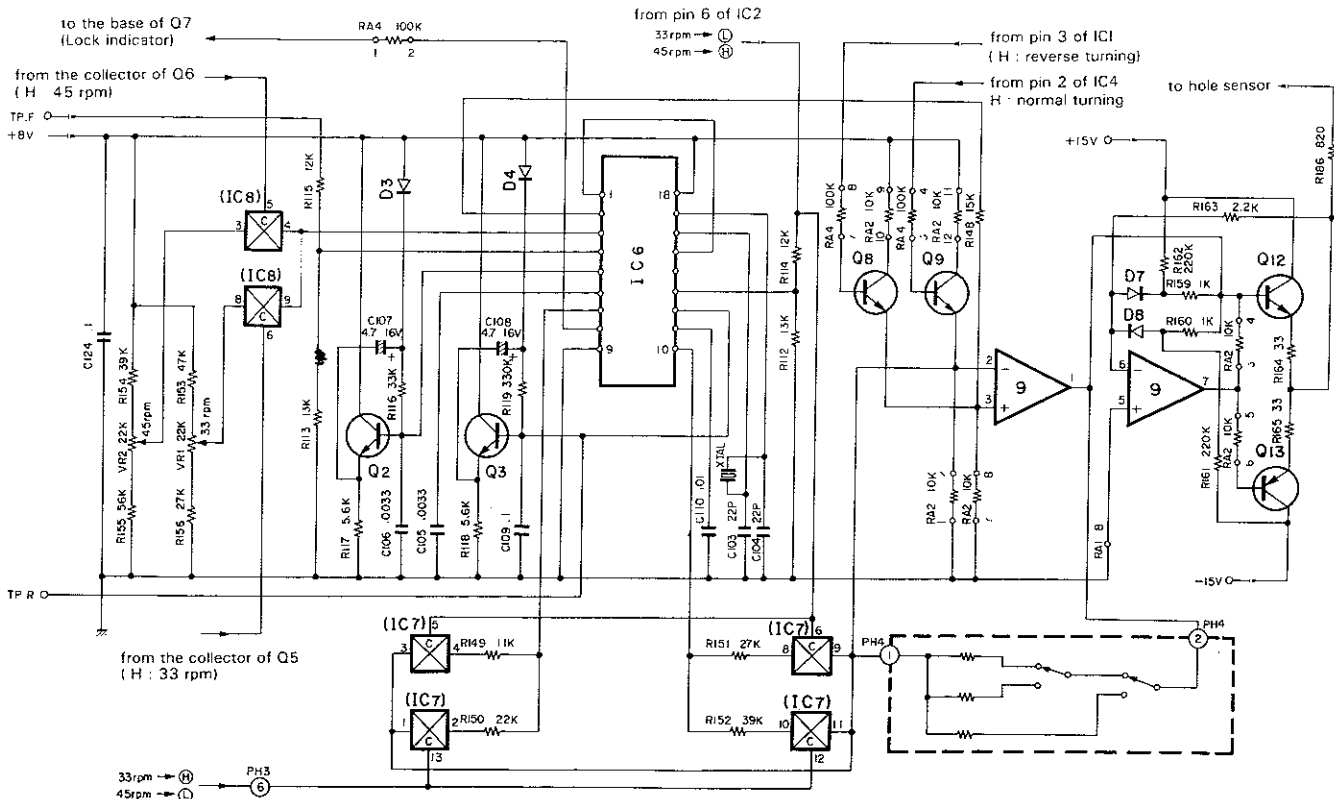


LOGIC DIAGRAM

POWER SUPPLY

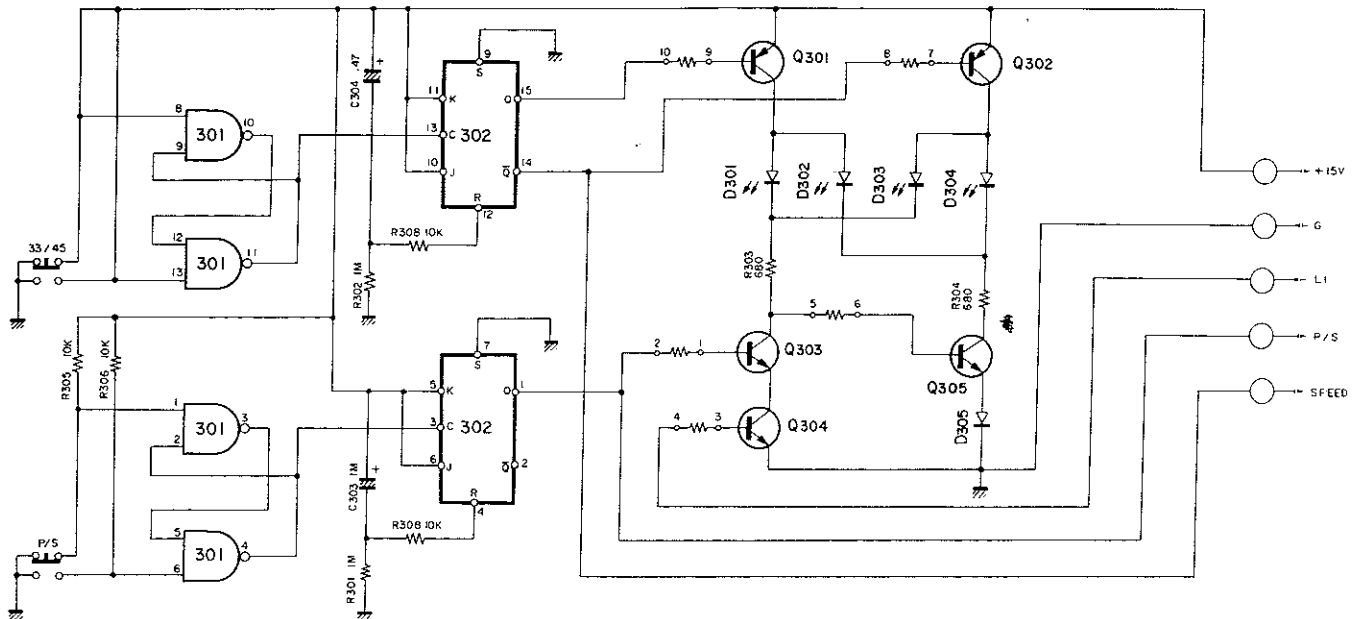


CONTROL UNIT LOGIC DIAGRAM

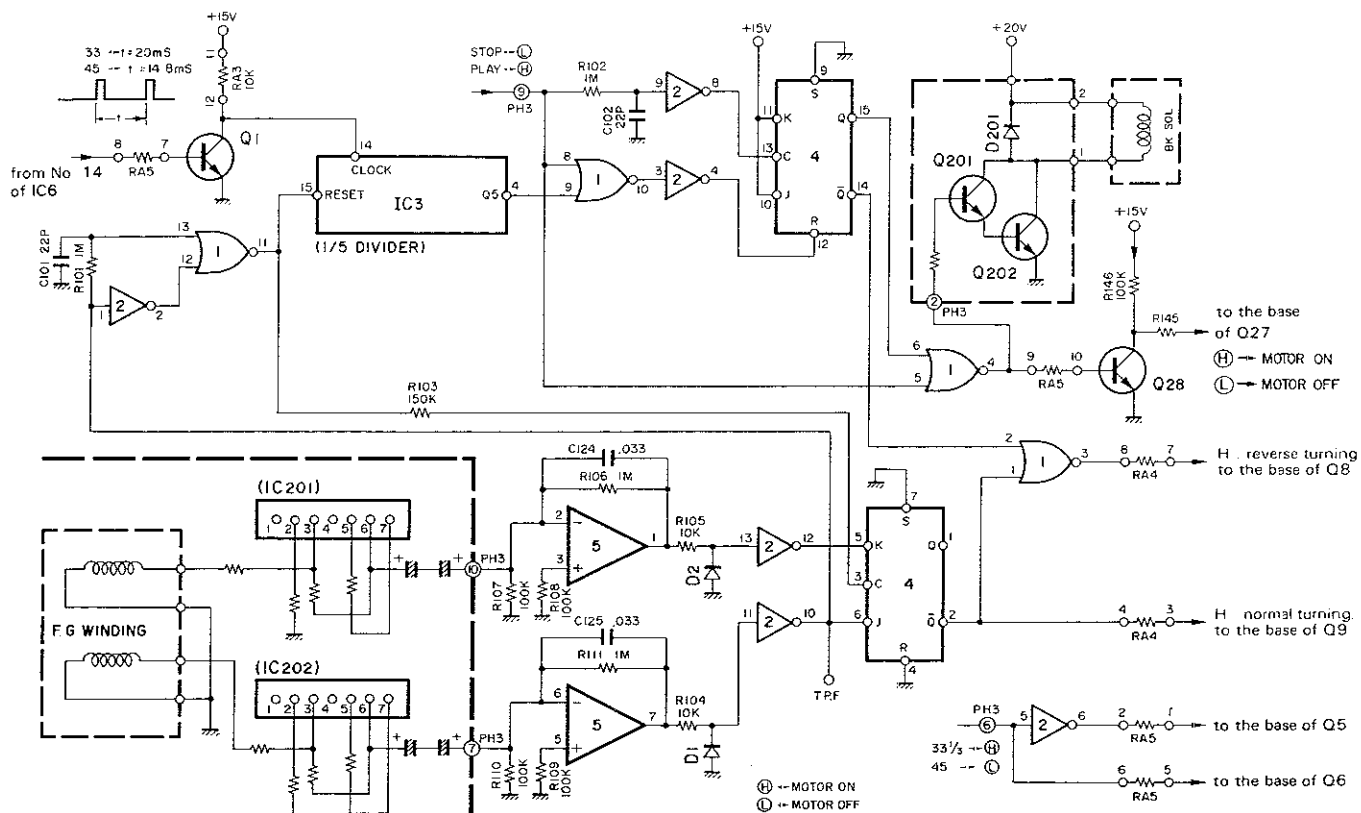


LOGIC DIAGRAM

CONTROL SWITCH UNIT LOGIC DIAGRAM

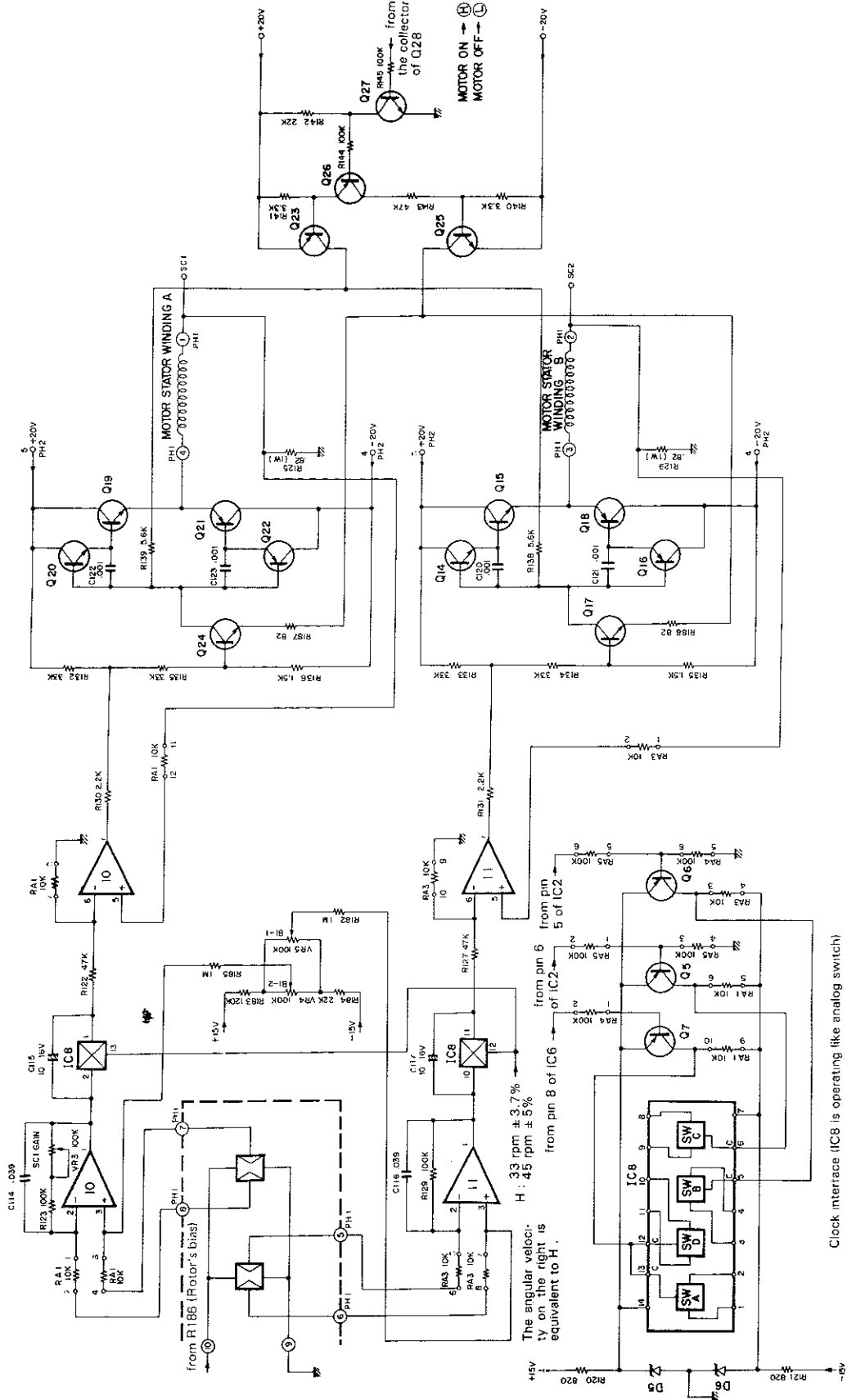


OPERATION UNIT LOGIC DIAGRAM

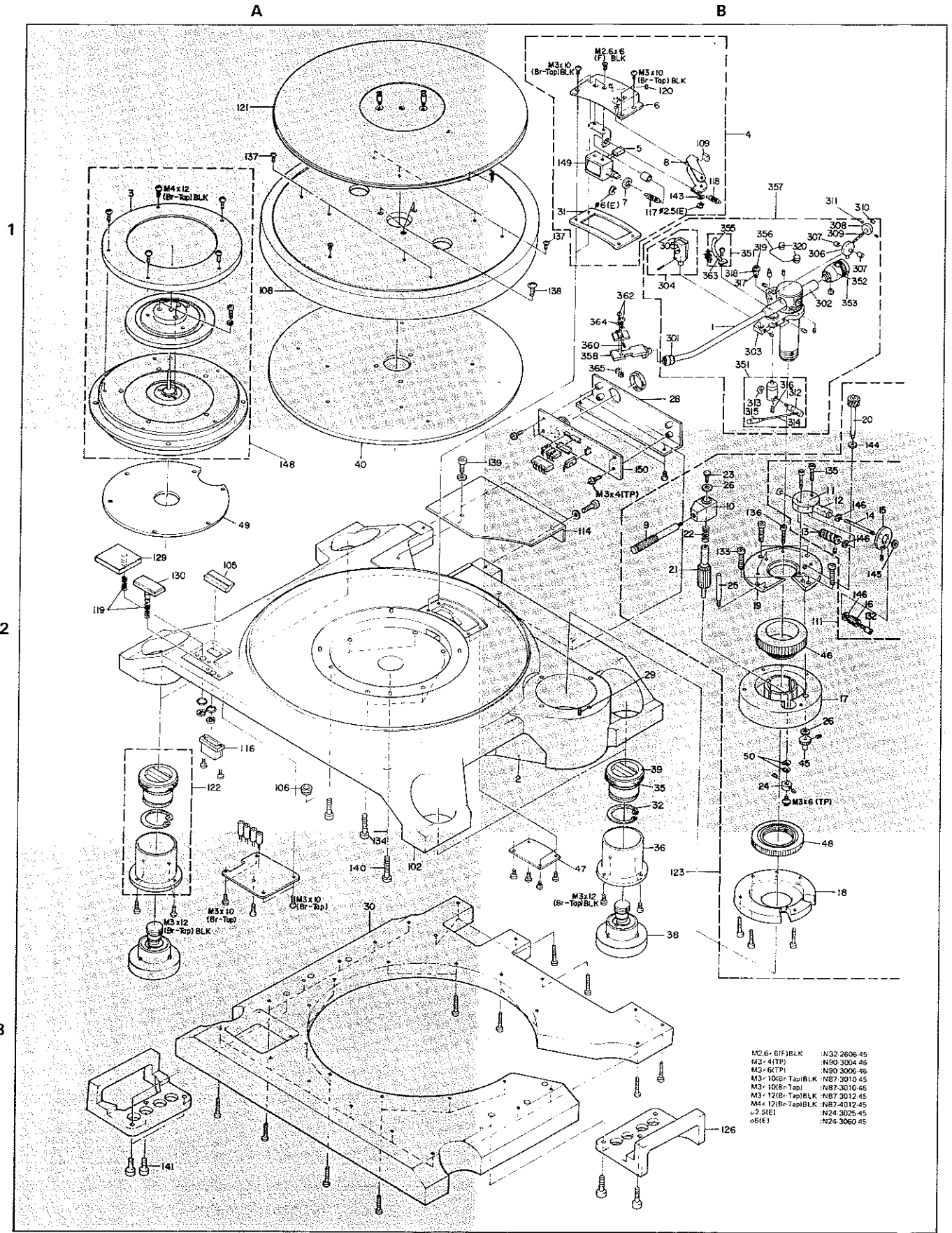


LOGIC DIAGRAM

MOTOR DRIVE UNIT LOGIC DIAGRAM

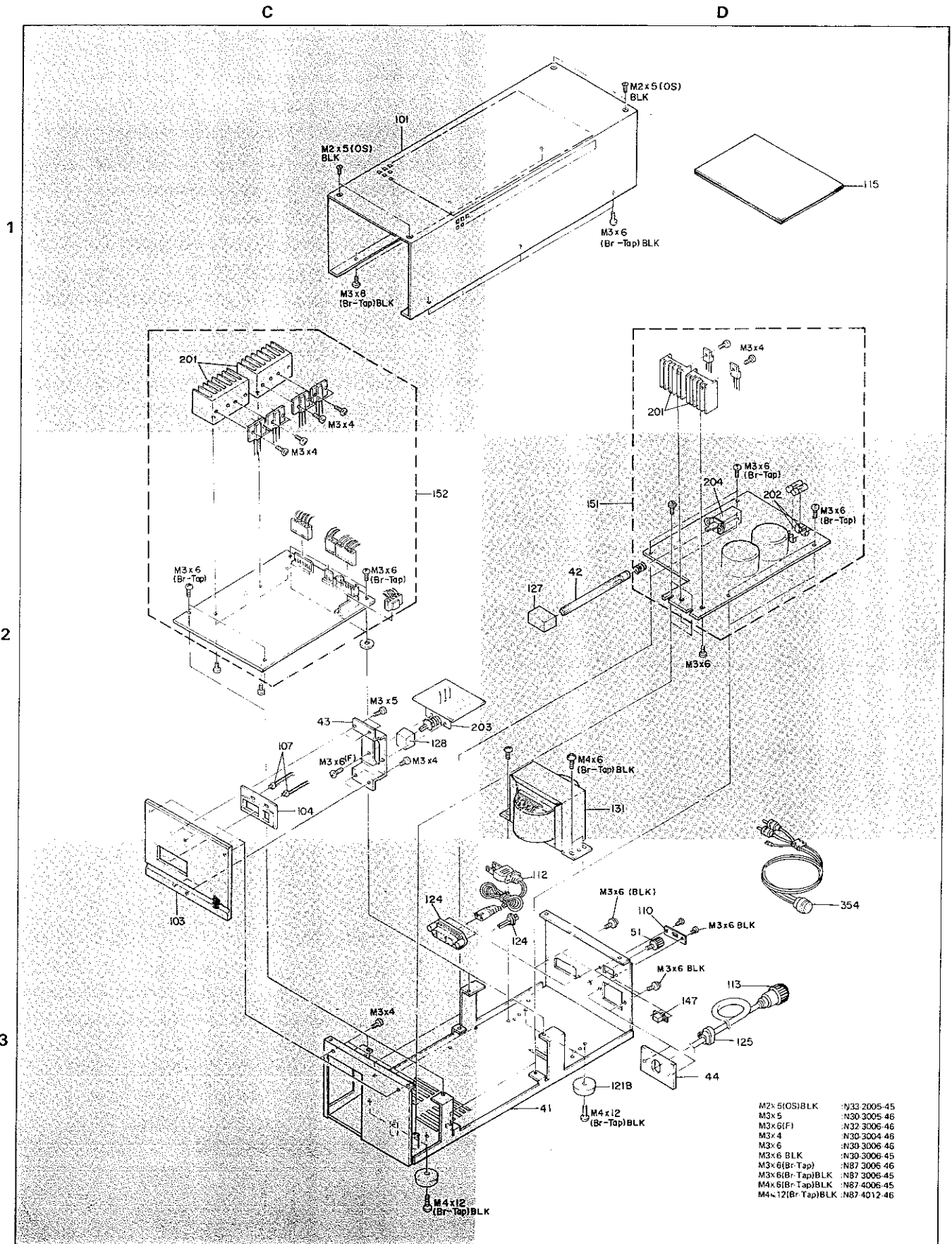


EXPLODED VIEW



- M2.6-6(F)BLK :N32 2606-45
- M3-4(TP) :N90 3004-46
- M3-6(TP) :N90 3006-46
- M3-10(Br-Top)BLK :N87 3010-45
- M3-10(Br-Top) :N87 3010-46
- M3-12(Br-Top)BLK :N87 3012-45
- M4-12(Br-Top)BLK :N87 4012-45
- o.2.5(E) :N24 3025-45
- o.6(E) :N24 3060-45

EXPLODED VIEW



ADJUSTMENT

BEFORE ADJUSTMENT

- Recommended equipment are the oscilloscope having input impedance of 1 M ohms or more
- Motor should be loaded with the turntable platter and the turntable sheet.
- Set the turntable to the even position
- Set the slide switch mounted on the rear panel of the power supply unit to "NORMAL" position
- Set the "DYNAMIC PARAMETER RANGE" switch on the front panel of the power supply unit to "18 ms" position

L-07D has 7 adjustment points. Use the following procedure to adjust the trimming potentiometers

PLL ADJUSTMENT

1. Connect the oscilloscope to TPR on the control PCB ass'y
2. Push the POWER switch ON.
3. Set the sweep time and the VARIABLE/HOR gain on the oscilloscope so that the width of the one period waveform is 100 mm as in Fig. 1
4. Set the speed selector indicator to 33 1/3 rpm by pressing the operation button
5. Turn the trimming potentiometer VR33 so that the waveform of TPR is in Fig. 2
6. For 45 rpm adjustment turn the trimming potentiometer VR45 and follow the same procedures for 33 rpm.

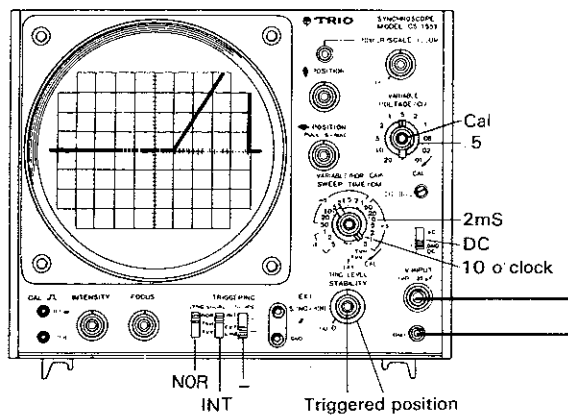
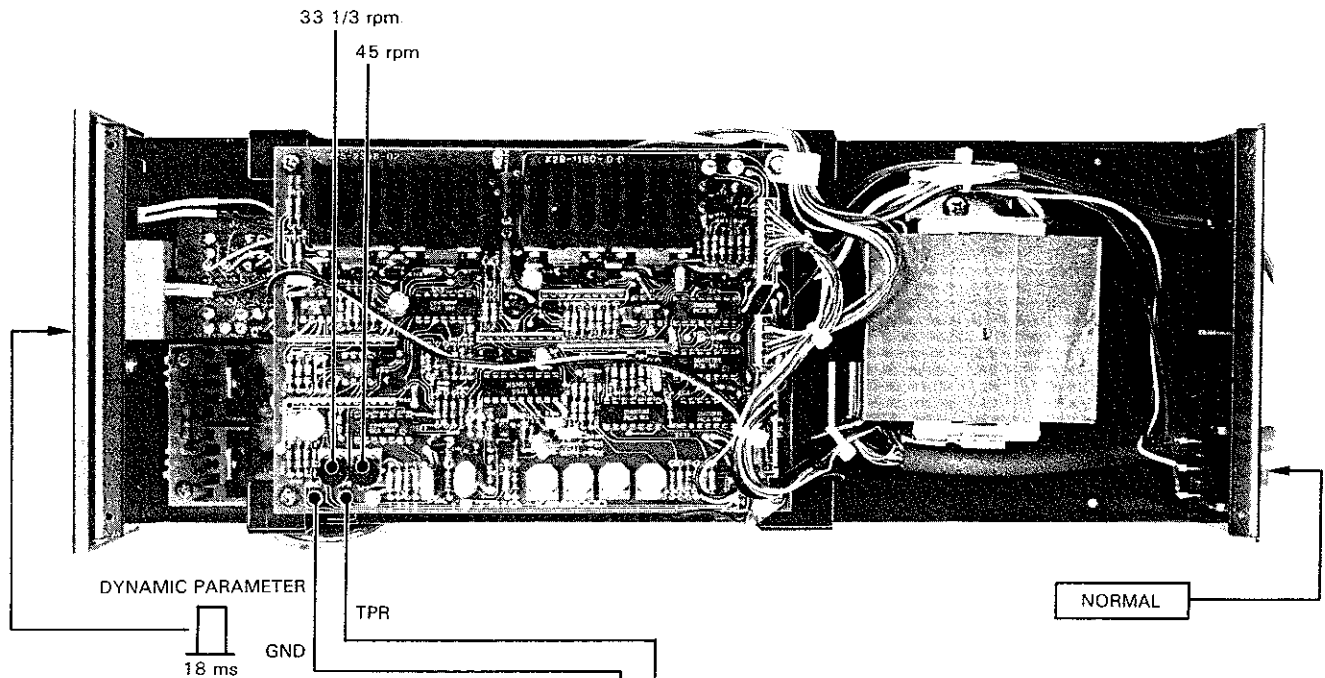


Fig. 1

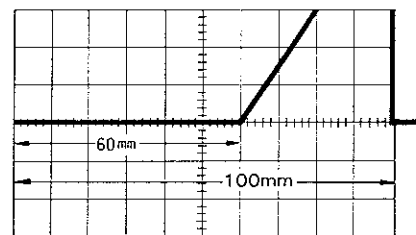
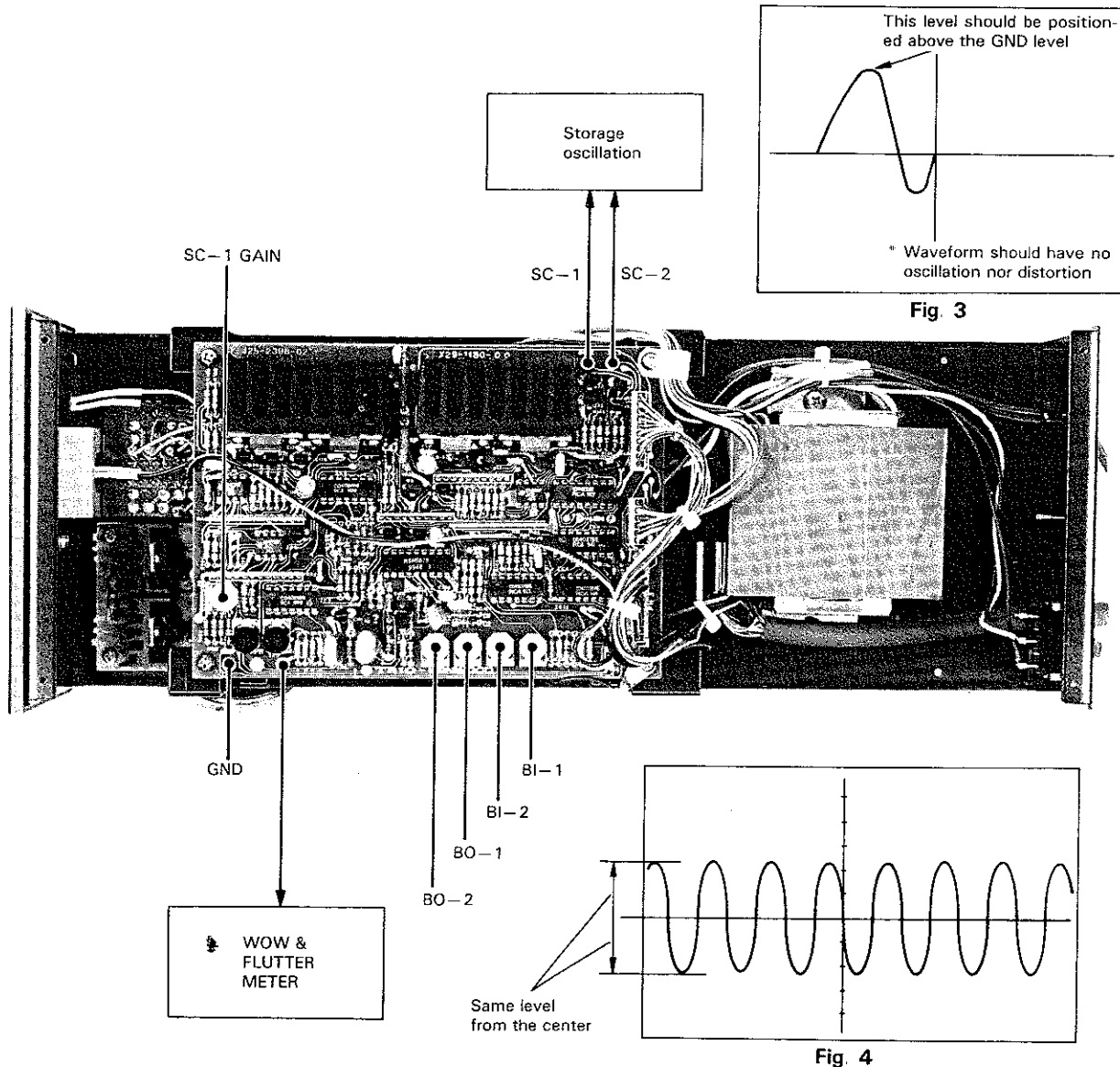


Fig. 2

ADJUSTMENT

OFFSET ADJUSTMENT AT START

- 1 Connect a storage oscilloscope to SC-1 on the control PCB ass'y
- 2 Meet the GND level to the horizontal center scale of the oscilloscope
- 3 Set the speed to 33-1/3 rpm by pressing the operation button
- 4 Turn the trimming pot BI-1 so that the upper peak of the waveform comes above the GND level as shown in Fig. 3.
- 5 Reconnect the probe of the oscilloscope to SC-2
- 6 For 45 rpm adjustment turn the trimming pot BI-2 and follow the same procedure for 33-1/3 rpm



OFFSET ADJUSTMENT DURING PLAYBACK

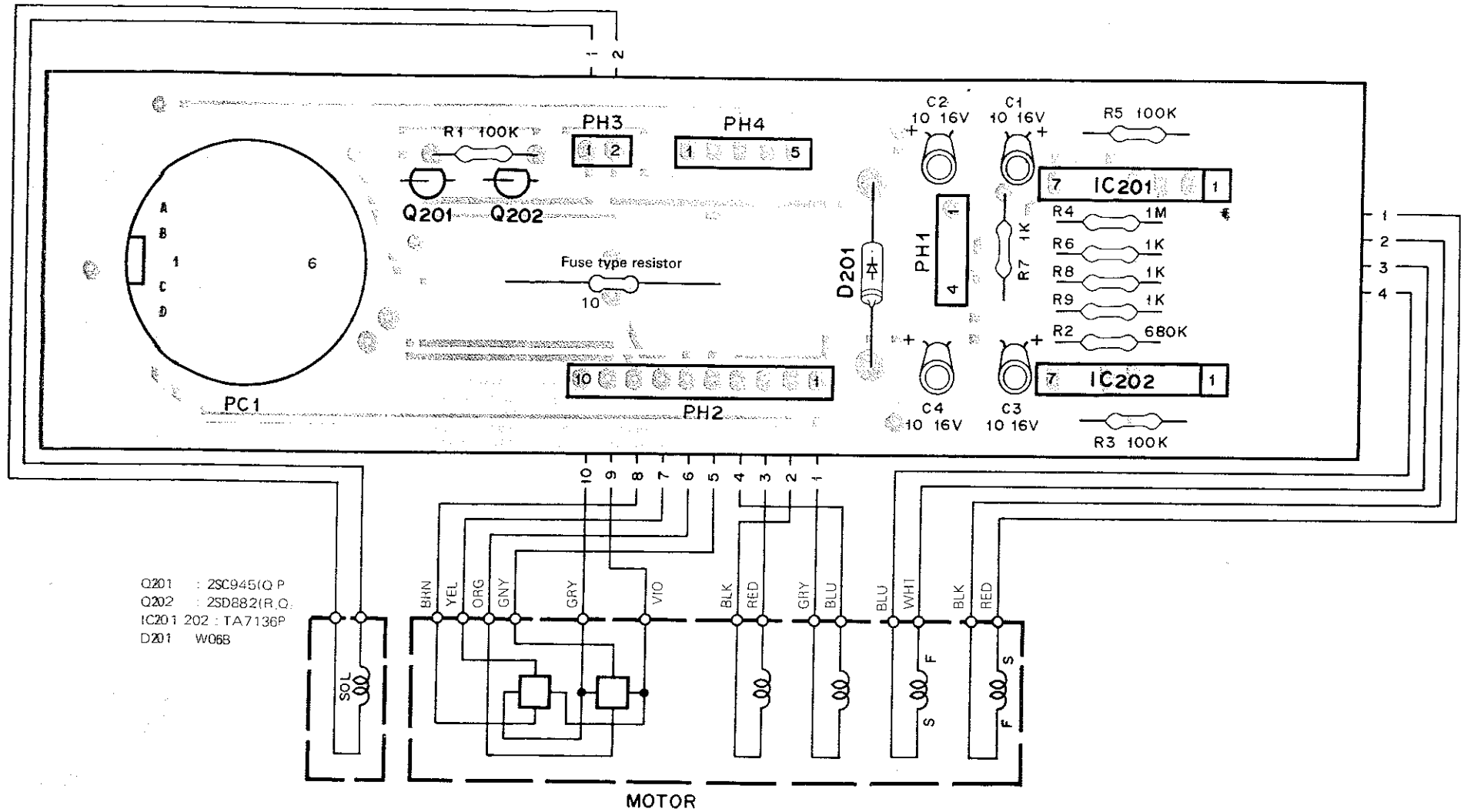
1. Connect a storage oscilloscope to SC-1 on the control PCB ass'y
- 2 Meet the GND level to the horizontal center scale of the oscilloscope.
3. Set the speed to 33-1/3 rpm by pressing the operation button
- 4 Turn the trimming pot BO-1 so that the amplitude in both positive and negative direction be the same from the GND level as shown in Fig. 4
- 5 Reconnect the probe of the oscilloscope to SC-2
- 6 For 45 rpm adjustment, turn the trimming pot BO-2 and follow the same procedures for 33-1/3 rpm

PC BOARD

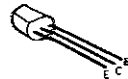
WOW AND FLUTTER

- 1 Connect the wow and flutter meter to TPF on the control PCB ass y
- 2 Set the speed selector to 33 1/3 rpm
- 3 Play back the part of 3 kHz in the test record
- 4 Turn the trimming pot SC-1 GAIN so that the meter indicate the minimum deflection

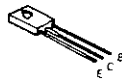
▼ REAR CONNECION (X25-1550-xx) Components side view



2SC945

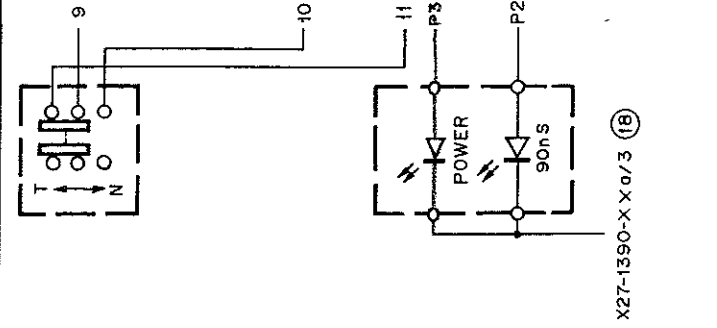
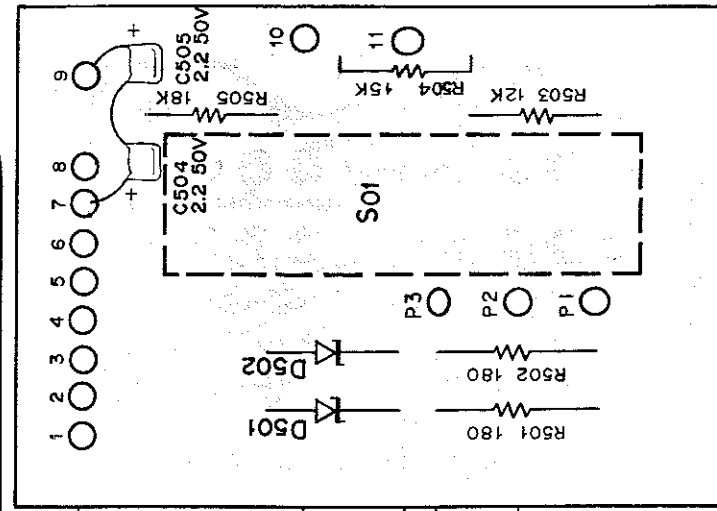
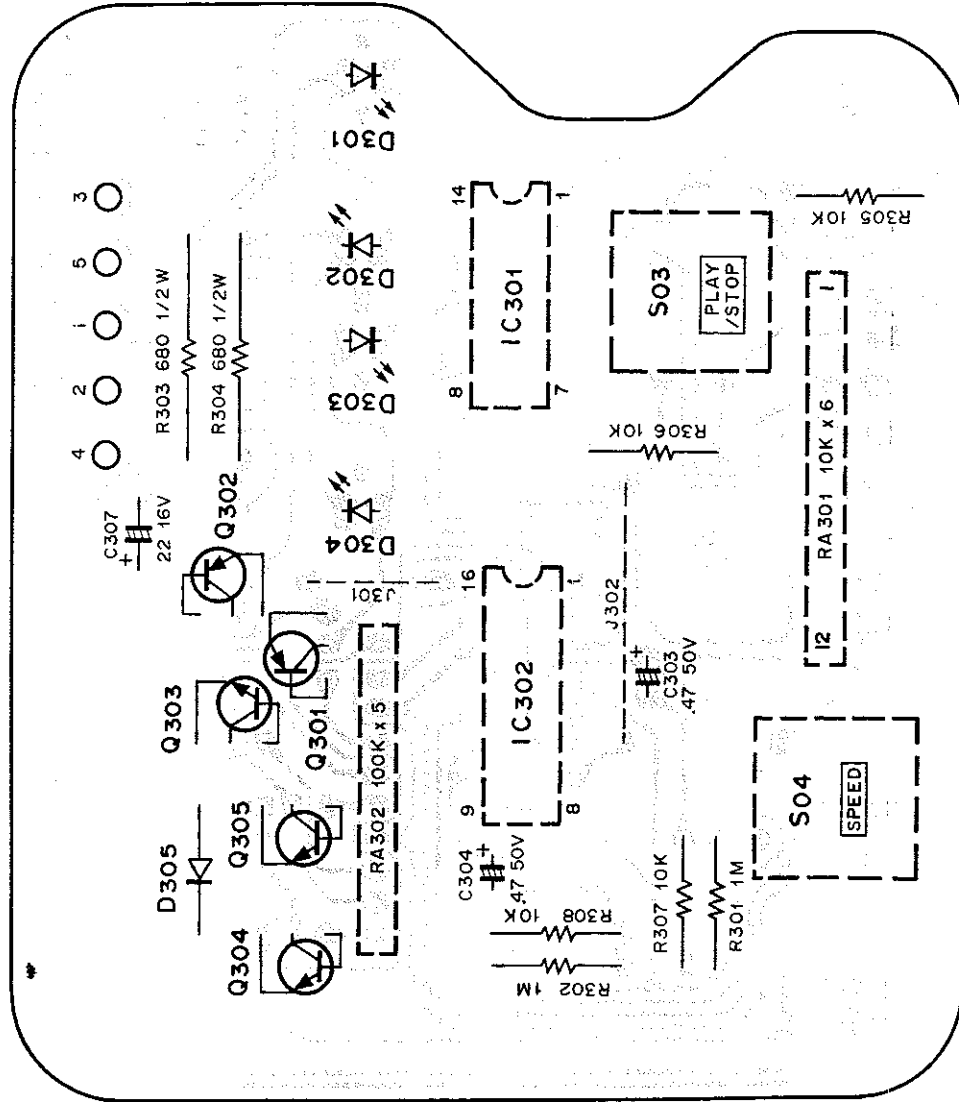


2SD882



TA7136P





X27-1390-X X α/3 (B)

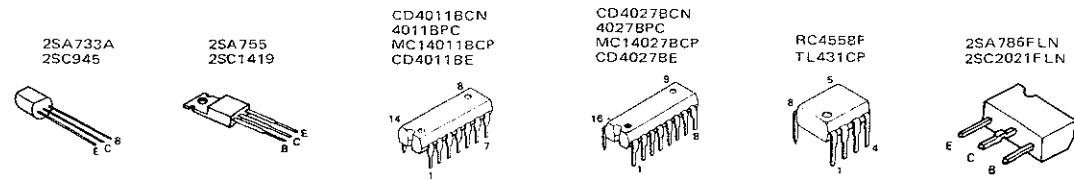
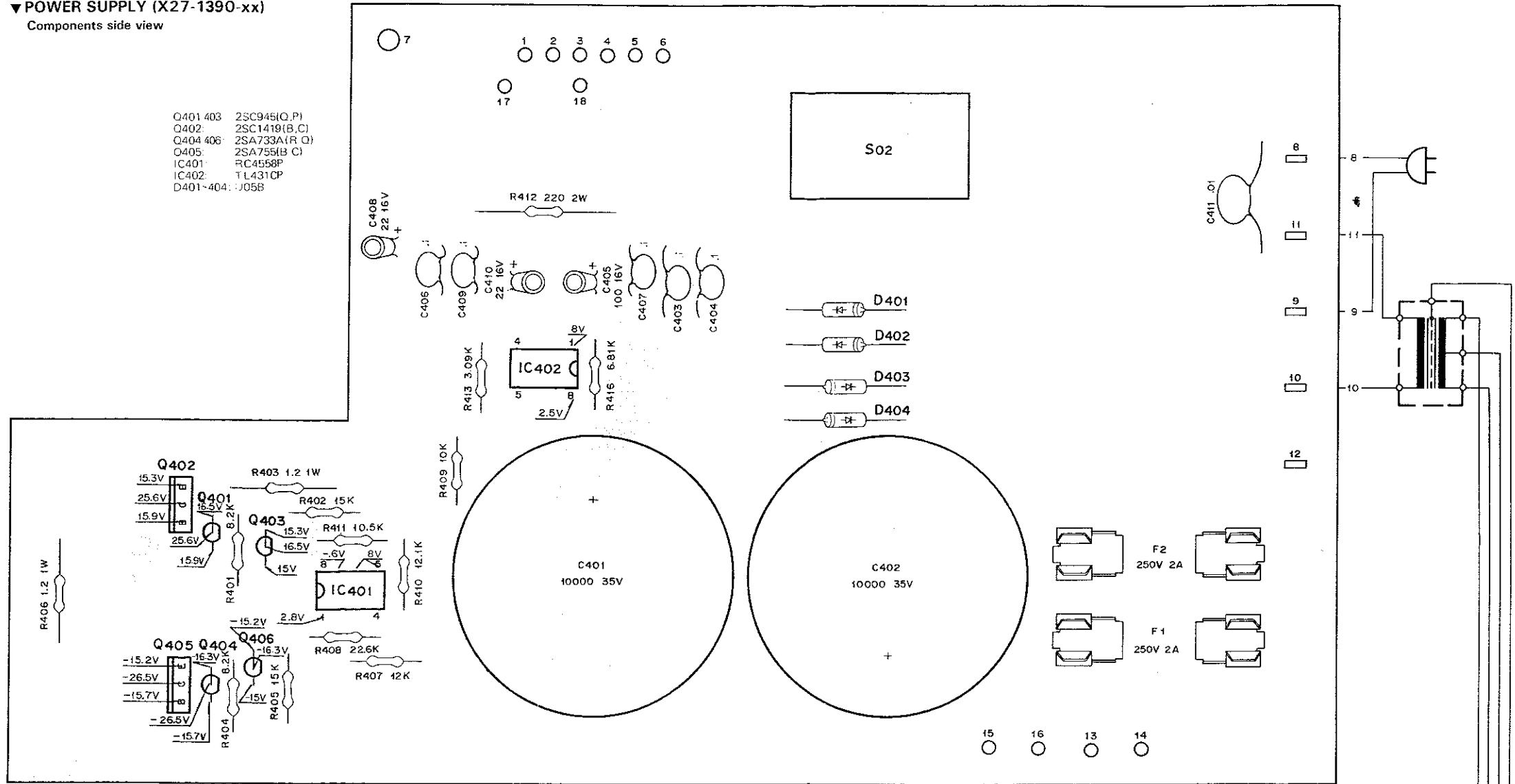
D501 502: XZ-100

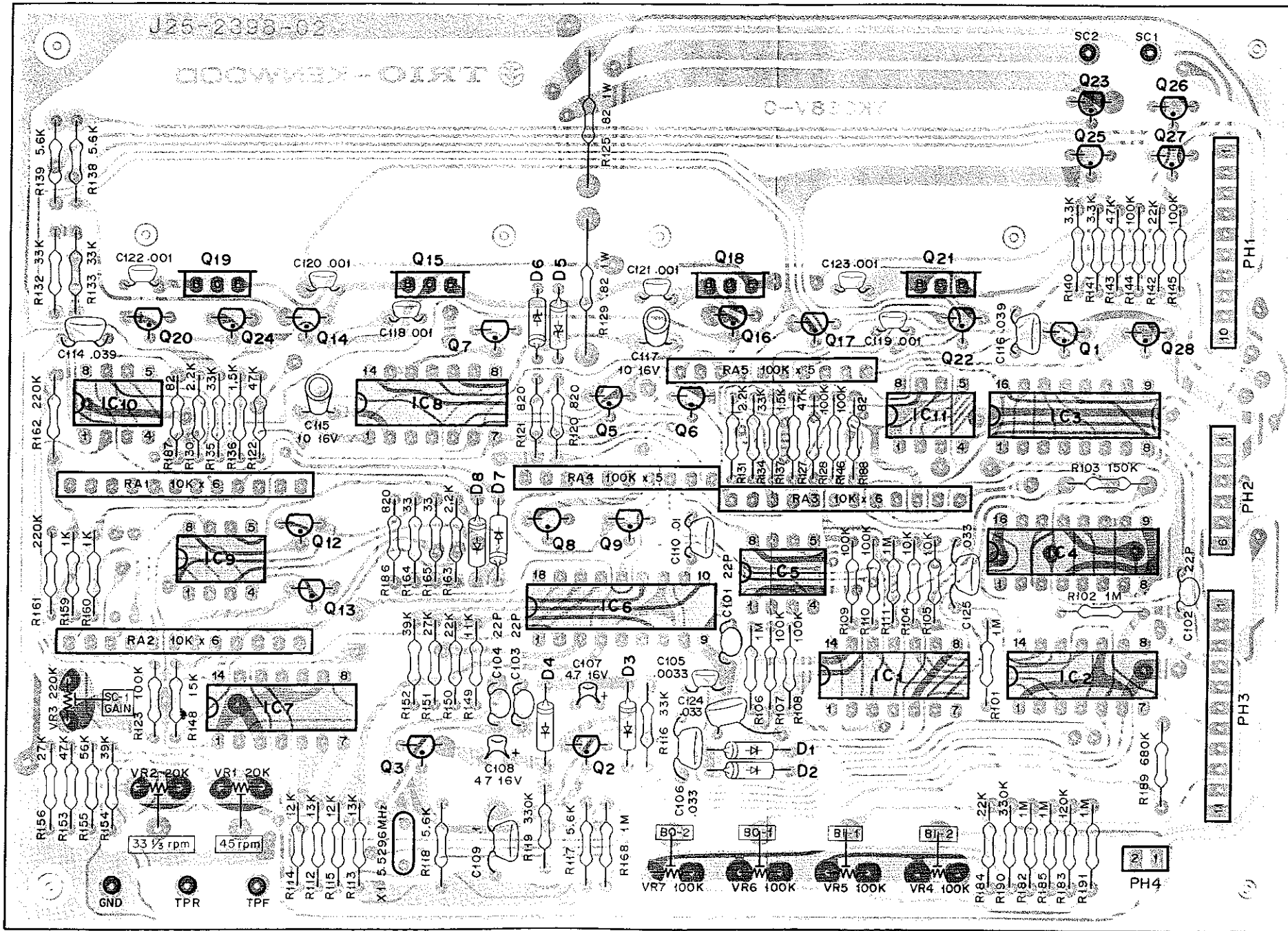
- Q301 302 : 2SA786FLN(R,S)
- Q303~305 : 2SC2021FLN(R,S)
- IC301 : CD4011BCN, 4011BPC
CD4011BE, MC14011BCP
- IC302 : CD4027BCN, 4027BPC
MC14027BCP
CD4027BE
- D301 303 : PY5505S
- D302 304 : BR5505S
- D305 : 1SS53

PC BOARD

▼ POWER SUPPLY (X27-1390-xx)
Components side view

- Q401 403 2SC945(Q,P)
- Q402 2SC1419(B,C)
- Q404 406 2SA733A(R,C)
- Q405 2SA755(B,C)
- IC401 RC4558P
- IC402 TL431CP
- D401~404 J05B

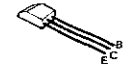




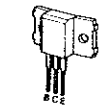
2SA733A
2SC945



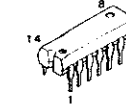
2SA733A



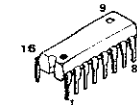
2SB616
2SD586



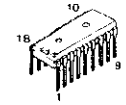
CD4001BCN CD40106BE
4001BPC CD4066BCN
CD4001BE 4066BPC
MC14001BCP CD4066BE
CD40106BCN MC14066BCP
40106BPC



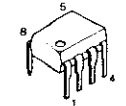
CD4022BCN
4022BPC
CD4022BE
MC14022BCP
CD4027BCN
4027BPC
CD4027BE
MC14027BCP



MSM5819



RC4558



IC1: CD4001BCN or 4001BPC or CD4001BE or MC14001BCP
IC2: CD40106BCN or 40106BPC or CD40106BE
IC3: CD4022BCN or 4022BPC or CD4022BE or MC14022BCP
IC4: CD4027BCN or 4027BPC or CD4027BE or MC14027BCP

IC5: 9 10, 11: RC4558
IC6: MSM5819RS
IC7: 8: CD4066BCN or 4066BPC or CD4066BE or MC14066BCP
O15 19: 2SD586(R Q)

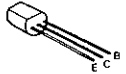
Q18 21: 2SB616(R,Q)
Q1-3 8,9 12,14,17,20 24,25,27 28: 2SC945(Q P)
Q5-7 13,16,22,23 26 2SA733A(Q P)
D1-4 7 8 1N60

D5: YZ 058

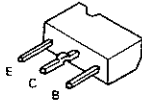
R

W
V
U
T
S
R
Q
P
C
B
A

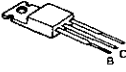
2SA733A
2SC945



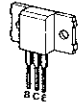
2SA786FLN
2SC2021FLN



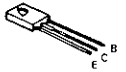
2SA755
2SC1419



2SB616
2SD586



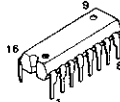
2SD882



CD4011BCN
4011BPC
MC14011BCP
CD4011BE
CD4001BCN
4001BPC
CD4001BE
MC14001BCP



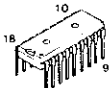
CD4022BCN
4022BPC
CD4022BE
MC14022BCP



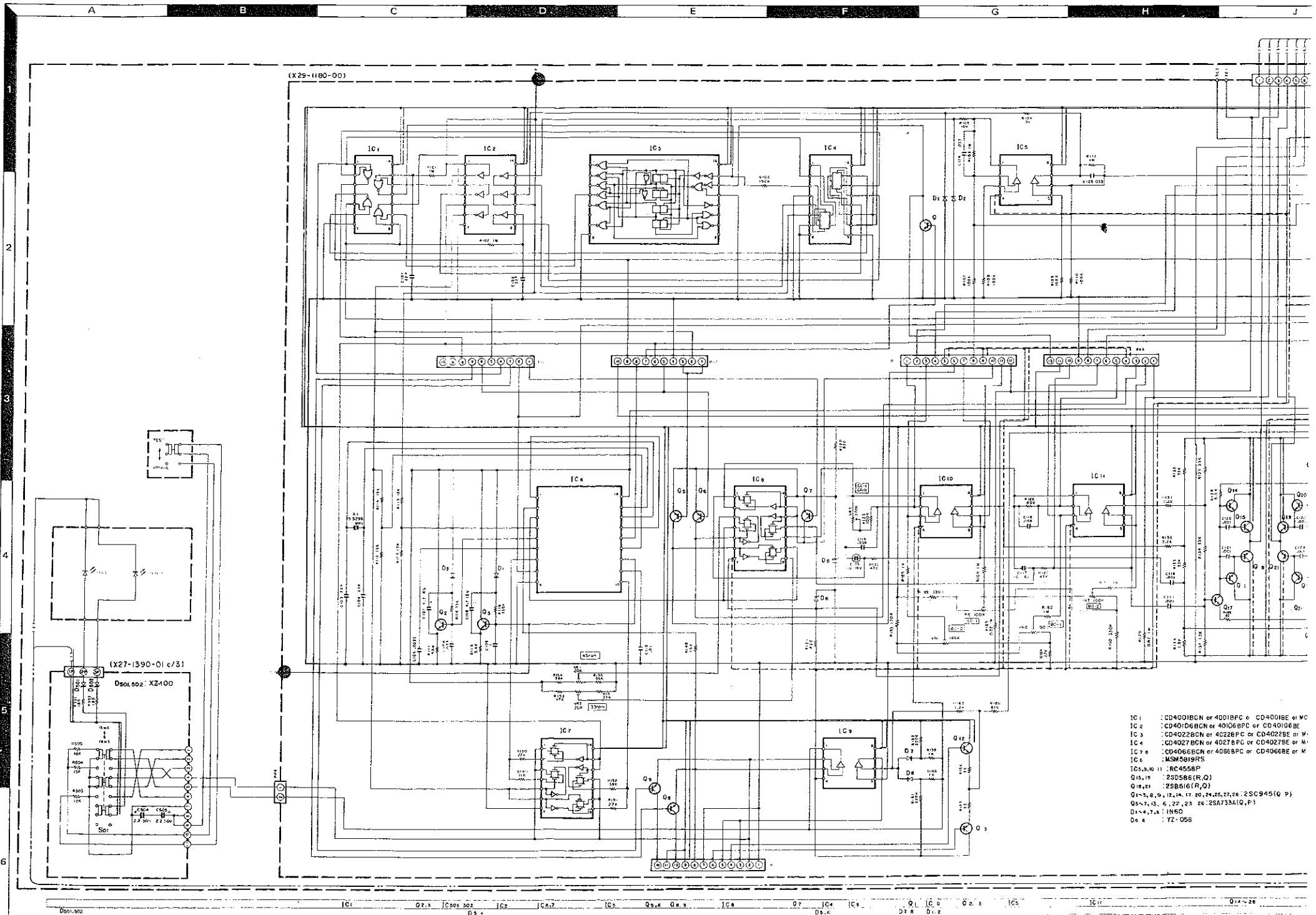
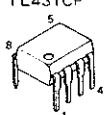
TA7136P



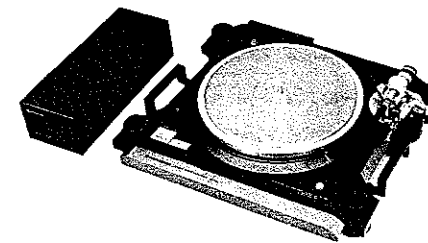
MSM5819



RC4558
RC4558P
TL431CP



- IC1 : CD4001BCN or 4001BPC or CD4001BE or MC14001BCP
- IC2 : CD40106BCN or 40106BPC or CD40106BE
- IC3 : CD4022BCN or 4022BPC or CD4022BE or MC14022BCP
- IC4 : CD4027BCN or 4027BPC or CD4027BE or MC14027BCP
- IC5 : CD4066BCN or 4066BPC or CD4066BE or MC14066BCP
- IC6 : MSM5819RS
- IC7,8,9,10 : RC4558P
- Q15,19 : 2SD586(R,Q)
- Q16,21 : 2SB616(R,Q)
- Q1-3,6,9,12,14,17,20,24,25,27,28 : 2SC945(Q,P)
- Q5-7,13,16,22,23,26 : 2SA733A(Q,P)
- D1-4,7,8 : 1N60
- D5-6 : VZ-056



SPECIFICATIONS

MOTOR & TURNTABLE
 Drive System: Direct Drive
 Motor: Quartz & Stainless DC Servo Motor (Staring Torque 2.5 kg-cm)
 Turntable: Permanent Magnet
 Turntable Diameter: 33 cm (13 1/8")
 Turntable Weight: 5.5 kg (12.1 lbs) including turntable
 Moment of Inertia: 1025 kg-cm²
 Speeds: 2 (33-1/3 and 45 rpm)
 Wow & Flutter: Less than 0.020% (WRMS)
 Runout: DIN Weighted Better than -84 dB
 Load Fluctuation: 0% (within 120 g of tracking force)
 Transient Load Fluctuation: Less than 0.00015% (at 33-1/3 rpm, 400 Hz, 20 g/cm load)
 Torque & Temperature Dist.: Less than 0.0005% (at 33-1/3 rpm, 1,000 Hz, 20 g/cm load)
 Limitation of Measurement

TONARM
 Type: Sinter-Balanced Type, J-Shaped (Type A or EA, Right Control)
 Effective Torsion: 245 mm (9.65 inch)
 Overhang: 15 mm (9/16 inch)
 Tracking Error: ± 2.2° (± 1.1°) - 1°45'
 Stylus Pressure Variable Range: 0 to 2 grams (50 mg Step)
 Usable Cartridge Weight: 1 to 3 grams
 (with Supplied Headshell) 3 to 22 grams, with Addition of Modified Weight
 Adjustable Height Range: Within 7 mm (7/16 inch)
 Arm Base: By Helicoid Figure (0.1 mm Steps)
 Headshell: Collet Chuck Type, Weight 1.5 kg (3.3 lbs)
 Headshell: Compression Molded Carbon and Glass Fiber
 Weight: 12 g

ADDITIONAL FEATURES
 Motorized Quartz Lock and Power Indicator
 Electronic and Mechanically Controlled Brake
 Arm Height Indicator
 Anti-Skating Device
 Oil Damped Cueing Control
 LED Speed Indicators
 Adj. Stable Height Insulator (2 mm or 15/32")
 with Level Indicator
 Stylus Pressure Direct Reader, Counter
 Sub-Tonearm Size for 14-pin or Tom-arm

MISCELLANEOUS
 Power Requirement: AC 120 V, 60 Hz, U.S.A. & Canada Models
 AC 220/230/240 V, 50/60 Hz, Other Models
 Power Consumption: 11.0 Watts, U.S.A. & Canada Models
 45.0 Watts, Other Models

Dimensions
 Turntable: W 555 mm (21 7/8")
 H 160 mm (6 5/8")
 D 420 mm (16 9/16")
 Control Unit: W 130 mm (5 1/8")
 H 110 mm (4 3/8")
 D 355 mm (14")

Weights
 Turntable and Motor: 31.0 kg (68.2 lbs)
 Control Unit: 4.3 kg (9.5 lbs)

SUPPLIED ACCESSORIES
 Low resistance & low capacitance phono cables with gold plated terminals, 45 rpm position with overhang gauge, Turntable platter cover
 Dust cloth, Stylus cleaner, Silicon cloth, Absorbent, Ground wire

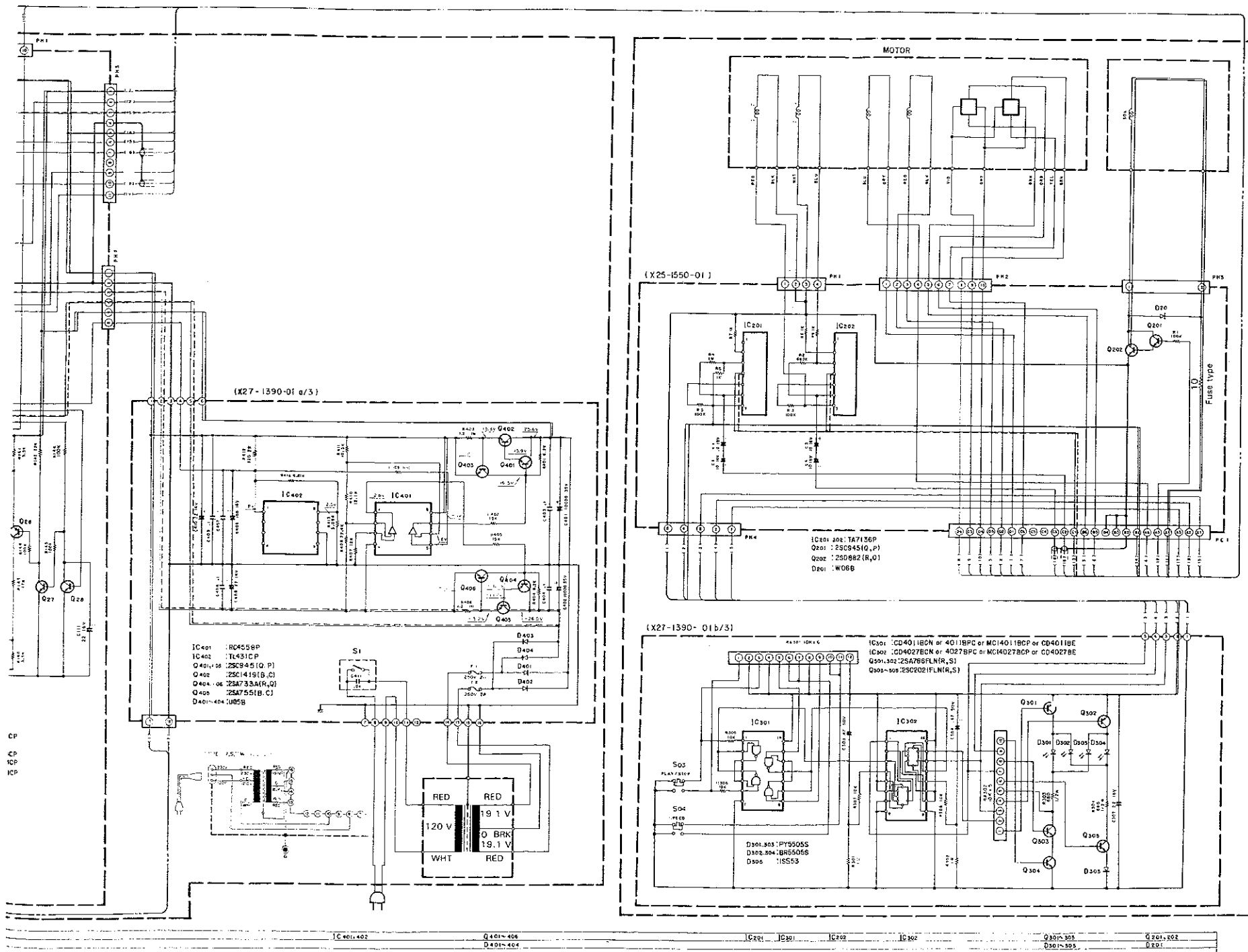
CABINET
 The construction of this cabinet is made of an anti-resonance composite base (ABS) with die-cast aluminum frame and melamine composite material

Kenwood follows a policy of continuous advancements in development. For this reason specifications may be changed without notice.

Kenwood follows a policy of continuous advancements in development. For this reason specifications may be changed without notice.

Kenwood strebt ständige Verbesserungen in der Entwicklung an. Daher bleiben Änderungen der technischen Daten jederzeit vorbehalten.

Kenwood poursuit une politique de progrès constants en ce qui concerne le développement. Pour cette raison les spécifications sont sujettes à modifications sans préavis.



CP
 CP
 TCP
 ICP

IC401-402 Q401-406 IC301 IC302 Q301-305 D301-305

PARTS LIST

INSTRUCTION FOR PARTS LIST

Ref. No. 参照番号	Parts No. 部品番号	Description 部品名/規格	Re- marks 備考
①	14 3A	A20-1391-13	FRONT PANEL ASSY
	14 3A	A20-1417-13	FRONT PANEL ASSY
	15 3A	A21-0302-03	DRESSING PANEL
	15 3A	A21-0302-03	DRESSING PANEL
	15 3A	A21-0302-03	DRESSING PANEL
⑤	C1 C2	C54-3310-39	CERAMIC 0.01UF F
	C1	C90-0145-05	POLYESTER 0.01UF AC125V
	C1	C91-0023-05	CERAMIC 0.01UF AC250V
	C1	C91-0023-05	CERAMIC 0.01UF AC250V
	C1	C91-0023-05	CERAMIC 0.01UF AC125V

- ① Exploded view drawing No
 - ② Position in exploded view
 - ③ Symbol of new parts
 - ④ Area to which parts are shipped Example: A20-1390-13 is the part No. of FRONT PANEL ASS'Y for the "K" type products (for U.S.A.) When this column is blank, it means that the same type of parts (same parts No.) are used for the products shipped to all areas
 - ⑤ Reference No. in schematic diagram
 - ⑥ Abbreviation of "ceramic capacitor"
- All capacitors and resistors are listed using abbreviations

Abbreviations

* Abbreviations of capacitors (Parts No. with initial letter C)

- ELECTRO Electrolytic capacitor
- LL-ELEC Low leak electrolytic capacitor
- NP-ELEC Non-pole electrolytic capacitor
- MICA Mica capacitor
- POLYSTY Polystyrene capacitor
- MYLAR Mylar capacitor
- CERAMIC Ceramic capacitor
- TANTAL Tantalum capacitor
- MF Metallized film capacitor
- MP Metallized paper capacitor
- OIL Oil capacitor

The unit UF is used in lieu of μF

* Abbreviations of resistors (Parts No. with initial letters R)

- RC Carbon composition resistor
- RD Carbon film resistor
- FL-PROOF RD Flame-proof carbon film resistor
- RW Wire wound power resistor
- FL-PROOF RS Flame-proof metal oxide film resistor
- RN Metal film resistor
- FUSE-RESIST Resistor with fuse function
- 2B Rated wattage 1/8W
- 2E Rated wattage 1/4W
- 2H Rated wattage 1/2W
- 3A Rated wattage 1W
- 3D Rated wattage 2W
- 3F Rated wattage 3W
- 3G Rated wattage 4W
- 3H Rated wattage 5W

All resistor values are indicated with the unit (Ω) omitted

* Abbreviations common to capacitors and resistors

- C ±0.25pF (Used for capacitors only)
- D ±0.5pF (Used for capacitors only)
- F ±1%
- G ±2%
- J ±5%
- K ±10%
- M ±20%
- Z +80% -20% (Used for capacitors only)
- P +100% -0% (Used for capacitors only)

Resistors RD (carbon composition resistors) are not listed in the parts list. For values refer to the schematic diagram

Code in

Ref. No. 参照番号	Parts No. 部品番号	Description 部品名/規格	Re- marks 備考
L-07D UNIT			
1	1B	TONEARM ASSY	
2	2P	INSERT HARDWARE	
3	1A	MOTOR COVER	
4	1R	BRAKE ASSY	
5	1D	CONNECTOR ASSY	
6	1B	BRAKE CASE	
7	1b	FELT WASHER	
8	1B	BRAKE LEVER	
9	2B	FIXING LEVER	
10	2B	FIXING GEAR	
11	2B	WORM GEAR BOX ASSY	
12	2B	SHAFT HOLDER	
13	2B	WORM GEAR	
14	2B	WORM SHAFT	
15	2B	ADJUST WHEEL	
16	2B	ADJUST KNOB	
17	2B	TONEARM BASE	
18	3B	GEAR HOLD PLATE	
19	2B	BASE PLATE	
20	1B	WORM WHEEL	
21	2B	FIXING GEAR	
22	2B	FIXING SPRING	
23	2B	FIXING SCREW	
24	2B	FIXING GEAR NUT	
25	2B	HEIGHT BAR	
26	2B	POLYSLIDER WEASHER	
28	1B	REAR PANEL	
29	2B	STOPPER SHAFT	
30	3A	TURNABLE BASE	
31	1B	SPACER	
32	2B	C RING	
35	2B	ABSORBER LOCKING KNOB	
36	3B	COLLAR	
38	3B	FOOT	
39	2B	ABSORBER DIAL	
40	2A	ABSORBER	
41	3C	CHASSIS	
42	2D	JOINT	
43	2C	SWITCH MOUNTING HARDWARE	
44	3C	CORD STOPPER	
45	2B	HEIGHT ADJUST PINION	
46	3B	CHUCK NUT	
47	3B	MOTOR COVER	
48	2B	HEIGHT ADJUST SCREW	
49	2A	MOTOR SPACER	
50	2B	WAVED WASHER	
51	2D	GND SCREW	
101	1C	A01-0611-22	COVER
102	3A	A02-0321-21	TURNABLE CASE
103	3C	A20-1990-03	FRONT PANEL
103	3C	A20-1991-03	FRONT PANEL
103	3C	A20-1991-03	FRONT PANEL
103	3C	A20-1991-03	FRONT PANEL
103	3C	A20-1991-03	FRONT PANEL
103	3C	A20-1991-03	FRONT PANEL
103	3C	A20-1991-03	FRONT PANEL
103	3C	A20-1991-03	FRONT PANEL
-	-	846-0055-20	WARRANTY CARD
-	-	846-0060-00	WARRANTY CARD
-	-	846-0061-20	WARRANTY CARD
-	-	846-0062-20	WARRANTY CARD
-	-	846-0063-13	WARRANTY CARD

PARTS LIST

Ref. No. 参照番号	Parts No. 部品番号	Description 部品名/規格	Re- marks 備考	Ref. No. 参照番号	Parts No. 部品番号	Description 部品名/規格	Re- marks 備考
-	B46-0064-10	WARRANTY CARD	X	-	H20-1104-04	POLY COVER	*
-	B50-2365-00	INSTRUCTION MANUAL	*K	-	H20-1105-04	PCLY COVER	*
-	B50-2365-00	INSTRUCTION MANUAL	MS	-	H25-0029-04	POLY COVER	
-	B50-2365-00	INSTRUCTION MANUAL	XU	-	H25-0078-04	POLY COVER	
-	B50-2365-00	INSTRUCTION MANUAL	H	-	H39-0015-05	STOPPER	MS
-	B50-2367-00	INSTRUCTION MANUAL	T	-	H39-0015-05	STOPPER	Th
-	B50-2386-00	DS-20 INST. MANUAL		-	H39-0015-05	STOPPER	XP
-	B50-2399-00	INSTRUCTION MANUAL	Mw	-	H39-0015-05	STOPPER	H
-	B50-2399-00	INSTRUCTION MANUAL	P				
-	B59-0018-00	SERVICE STATIONS* LIST	U	121B3D	J02-0325-15	RUBBER FOOT	
104 2C	B07-0593-14	ESCUTCHEON	*	122 2A	J02-0336-14	COLLAR ASSY	*
105 2A	B08-0201-14	ACRYL INDICATOR	*	123 3B	J19-1927-53	TONEARM BASE ASSY	*
106 2A	B23-0401-25	LEVEL	*	124 3D	J41-0034-05	CORD BUSHING	KP
107 2C	B30-0725-05	LED ASSY	*	125 3D	J42-0318-05	CORD BUSHING	*
108 1A	D02-0030-05	TURNTABLE PLATTER	*	126 3B	K01-0302-13	HOCK	*
109 1B	D31-0005-04	BRAKE SHOE	*	127 2D	K27-0329-04	KNOB (A)	*
110 3D	D32-0080-24	SWITCH STOPPER	*	128 2C	K27-0330-04	KNOB (B)	*
111 2B	D40-0481-14	WORM BOX ASSY	*	129 2A	K29-0692-04	OPERATION BUTTON (1)	*
112 3D	E30-0181-05	POWER CORD	KP	130 2A	K29-0693-04	OPERATION BUTTON (2)	*
112 3D	E30-1305-15	POWER CORD	MU	131 2D	L01-6291-05	POWER TRANSFORMER	*K
112 3D	E30-1328-05	POWER CORD	ST	131 2D	L01-6291-05	POWER TRANSFORMER	P
112 3D	E30-1329-05	POWER CORD	WH	131 2D	L01-6294-05	POWER TRANSFORMER	MS
112 3D	E30-1341-05	POWER CORD	X	131 2D	L01-6294-05	POWER TRANSFORMER	TH
113 3D	E30-1343-05	CONNECTOR ASSY	*	131 2D	L01-6294-05	POWER TRANSFORMER	XU
124 3D	E03-0102-05	3P CONNECTOR	MS				H
124 3D	E03-0102-05	3P CONNECTOR	TW	132 2B	N09-0878-14	KNOB SCREW	
124 3D	E03-0102-05	3P CONNECTOR	XU	133 2B	N09-0885-05	BOLT	
124 3D	E03-0102-05	3P CONNECTOR	H	134 3A	N09-0886-05	BOLT	
114 2B	F07-0656-13	SUB ARM COVER	*	135 2B	N09-0889-04	BOLT	
115 10	F09-0305-14	TURNTABLE COVER	*	136 2B	N09-0890-04	BOLT	*
116 2A	F15-0514-04	BLIND CASE ASSY		137 1A	N09-0894-05	FLAT HEAD SCREW	
F1 2	F05-2023-05	FUSE (2A)	MS	138 1B	N09-0895-05	FLAT HEAD SCREW	
F1 2	F05-2023-05	FUSE (2A)	XU	139 2B	N09-0906-05	BGLT	
F1 2	F05-2029-05	FUSE (2A)	TW	140 3A	N09-0907-05	SETScrew	
F1 2	F05-2029-05	FUSE (2A)	H	141 3A	N09-0912-05	BOLT	*
F1 2	F06-2027-05	FUSE (2A)	KP	143 1B	N19-0016-04	POLYSLIDER WASHER	
117 1B	G01-0744-14	TENSION SPRING (1)	*	144 2B	N19-0018-04	POLYSLIDER WASHER	
118 1B	G01-0745-04	TENSION SPRING (2)	*	145 2B	N19-0025-04	POLYSLIDER WASHER	
119 2A	G01-0762-14	COMPRESSION SPRING	*	146 2B	N19-0143-04	POLYSLIDER WASHER	
120 1B	G13-0457-14	RUBBER CUSHION	*	147 3D	S31-2001-05	SLIDE SWITCH	
121 1A	G16-0334-24	TURNTABLE SHEET	*	148 2A	T43-0020-05	MOTOR ASSY	*
-	H01-2390-14	CARTON BOX	*K	149 1B	T94-0061-15	SOLENOID	*
-	H01-2390-14	CARTON BOX	MS				
-	H01-2390-14	CARTON BOX	WX				
-	H01-2390-14	CARTON BOX	UP				
-	H01-2390-14	CARTON BOX	H				
-	H01-2392-04	CARTON BOX (PWR SPPLY)	*K	150 2B	X25-1550-00	REAR PCB ASSY	*
-	H01-2392-04	CARTON BOX (PWR SPPLY)	MS	151 2D	X27-1390-01	POWER SUPPLY PCB ASSY	*K
-	H01-2392-04	CARTON BOX (PWR SPPLY)	XU	151 2D	X27-1390-01	POWER SUPPLY PCB ASSY	P
-	H01-2392-04	CARTON BOX (PWR SPPLY)	H	151 2D	X27-1390-02	POWER SUPPLY PCB ASSY	MS
-	H01-2394-04	CARTON BOX (PWR SPPLY)	P	151 2D	X27-1390-02	POWER SUPPLY PCB ASSY	XU
-	H01-2395-04	CARTON BOX (PWR SPPLY)	T	151 2D	X27-1390-03	POWER SUPPLY PCB ASSY	TW
-	H01-2396-04	CARTON BOX (PWR SPPLY)	W	151 2D	X27-1390-03	POWER SUPPLY PCB ASSY	H
-	H01-2397-14	CARTON BOX	I	152 2C	X29-1180-00	CONTROL PCB ASSY	*
-	H10-2262-02	POLYSTYRENE FIXTURE(A)	T	REAR (X25-1550-xx)			
-	H10-2263-02	POLYSTYRENE FIXTURE(B)	*	C1 -4	C24-1210-67	ELECTRO 10UF 16wV	
-	H10-2264-02	POLYSTYRENE FIXTURE(C)	*	D201	V11-0295-05	W06B	
-	H10-2265-13	POLYSTYRENE FIXTURE(D)	*	IC201,202	V30-0122-05	TA7136P	
-	H12-0370-02	BUFFER FIXTURE (A)	*	Q201	V03-0348-05	ZSC945(P,Q)	
-	H12-0371-03	BUFFER FIXTURE (E)	*	Q202	V04-0882-20	ZSD882(G,R)	
-	H12-0373-03	BUFFER FIXTURE (D)	*	POWER SUPPLY (X27-1390-xx)			

Note 1

Note 1
REAR PCB ass'y for USA (K type) is mounted or fuse function resisto having part No. R92-0513-05 and changed to X25-1550-01

PARTS LIST

Re-
marks
備考

*

MS

TW
XP
H

*

MS

TW
XU

H

*

*K
P
MS
TW
XU

H

*

*K
P
MS
XU

TW
H

*

Note 1

Ref. No. 参照番号	Parts No. 部品番号	Description 部品名 / 規格	Re- marks 備考
201 10	-	HEAT SINK	
C303,304 C307 C401,402 C403,404 C405	C24-1747-47 C24-1222-61 C90-0709-05 C90-0295-05 C24-1210-71	ELECTRO 0.47UF 50WV ELECTRO 22UF 16WV ELECTRO 1000UF 35WV CERAMIC 0.1UF M ELECTRO 100UF 16WV	*
C406,407 C408 C409 C410 C411	C90-0270-05 C24-1222-61 C90-0270-05 C24-1222-61 C54-3310-39	CERAMIC 0.1UF K ELECTRO 22UF 16WV CERAMIC 0.1UF K ELECTRO 22UF 16WV SPARK KILLER	MS
C411 C411 C411 C411 C504,505	C54-3310-39 C54-3310-39 C54-3310-39 C91-0079-05 C25-1722-57	SPARK KILLER SPARK KILLER SPARK KILLER SPARK KILLER LL-ELEC 2.2UF 50WV	XU TW H KP
-	J31-0436-04 J13-0055-05	LED HOLDER FUSE HOLDER	*
202 2D			
RA302 RA301 R303,304 R403 R406	R92-0509-05 R92-0510-05 R43-5368-15 R47-1412-95 R47-1412-95	R MODULE R MODULE RD 680 J 2H FL-PROOF RS1,2 J 3A FL-PROOF RS1,2 J 3A	*
R408 R410 R411 R412 R413	R48-6222-21 R48-6212-21 R48-6210-21 R47-1522-15 R48-2309-13	RN 22.6K F 2E RN 12.1K F 2E RN 10.5K F 2E FL-PROOF RS220 J 3D RN 3.09K F 2E	
R416 R501,502	R48-6268-11 R43-1218-15	RN 6.81K F 2E FL-PROOF RD180 J 2E	
S01 203 S02 204 S02 204 S02 204 S02 204	S40-4303-05 S40-1304-05 S40-1306-05 S40-1306-05 S40-2306-05	SWITCH POWER SWITCH POWER SWITCH POWER SWITCH POWER SWITCH	* KP MS XU TW
S02 204 S03 ,04	S40-2306-05 S40-1314-05	POWER SWITCH SWITCH	H *
D301 D302 D303 D304 D305	V11-7200-80 V11-7200-70 V11-7200-80 V11-7200-70 V11-1200-80	PY5505S BR5505S PY5505S BR5505S 1SS53	*
D401-404 D501,502 IC301 IC301 IC301 IC302	V11-0270-05 V11-4104-10 V30-0304-10 V30-0304-20 V30-0305-10	U05B XZ-100 CD4011BE CD4011BCN 4011BPC CD4027BE MC14027BPC	*
IC302 IC301 IC402 IC401 Q301,302	V30-0305-20 V30-0385-20 V30-0425-10 V30-0426-10 V01-0786-10	CD4027BCN 4027BPC MC4011BCP TL-431CP RC4558P 2SA786FLN(Q,R)	*
Q303-305 Q401 Q402 Q403 Q404	V03-2021-10 V03-0348-05 V03-0356-05 V03-0348-05 V01-0733-40	2SC2021FLN(R,S) 2SC945(P,Q) 2SC1419(B,C) 2SC945(P,Q) 2SA733A(P,Q)	
Q405 Q406	V01-0116-05 V01-0733-40	2SA755(B,C) 2SA733A(P,Q)	

Ref. No. 参照番号	Parts No. 部品番号	Description 部品名 / 規格	Re- marks 備考
CONTROL (X29-1180-00)			
C101-104 C105 C106 C107,108 C109	C71-1722-05 C50-2033-24 C91-0332-05 C81-1247-56 C91-0320-05	CERAMIC 22PF J POLYSTY 0.0033UF G POLYSTY 0.033UF J TANTAL 4.7UF 16WV POLYSTY 0.1UF	
C110 C111 C114 C115 C116	C50-2010-34 C24-1222-61 C45-1739-35 C90-0708-05 C45-1739-35	POLYSTY 0.01UF G ELECTRO 22UF 16WV MYLAR 0.039UF J NP-ELEC 10UF 16WV MYLAR 0.039UF J	*
C117 C118-123 C124,125 C126	C90-0708-05 C45-1710-25 C45-1733-35 C90-0270-05	NP-ELEC 10UF 16WV MYLAR 0.001UF J MYLAR 0.033UF J CERAMIC 0.1UF K	*
-	L77-1101-05	CRYSTAL OSCILLATOR	*
RA1 -3 RA4 ,5 R116 R119 R125	R92-0510-05 R92-0509-05 R48-2330-24 R48-2330-34 R47-1482-85	R MODULE R MODULE FL-PROOF RN33K G 2E FL-PROOF RN330K G 2E FL-PROOF RS0,82 J 3A	*
R129 R148 R149 R150 R151	R47-1482-85 R48-2150-24 R48-2110-23 R48-2220-24 R48-2270-24	FL-PROOF RS0,82 J 3A FL-PROOF RN15K G 2E RN 11K F 2E RN 22K G 2E RN 27K G 2E	
R152 R153 R154 R155 R156	R48-2390-24 R48-2470-24 R48-2390-24 R48-2560-24 R48-2270-24	RN 39K G 2E RN 47K G 2E RN 39K G 2E RN 56K G 2E RN 27K G 2E	
VR1 ,2 VR3 VR4 -7	R12-3305-05 R12-5031-05 R12-5030-05	TRIMMING POT 20K TRIMMING POT 220K TRIMMING POT 100K	
D1 -4 D5 ,6 D7 ,8 IC1 IC1	V11-0457-05 V11-4106-10 V11-0457-05 V30-0303-10 V30-0303-20	IN60 YZ-058 IN60 CD4001BE CD4001BCN	
IC1 IC1 IC2 IC2 IC2	V30-0319-10 V30-0385-10 V30-0309-10 V30-0309-20 -	MC14001BPC 4001BPC CD40106BE CD40106BCN 40106BPC	*
IC3 IC3 IC3 IC3 IC4	- V30-0421-10 - - V30-0305-10	4022BPC CD4022BE MC14022BPC CD4022BCN CD4027BE	*
IC4 IC4 IC4 IC5 IC6	V30-0305-20 - - V30-0426-10 V30-0424-10	CD4027BCN 4027BPC MC14027BPC RC4558P NSM5819RS	*
IC7 ,8 IC7 ,8 IC7 ,8 IC7 ,8 IC9 -11	V30-0307-10 V30-0307-20 V30-0388-10 - V30-0426-10	CD4066BE CE4066BCN MC14066BPC 4066BPC RC4558P	*
Q1 -3	V03-0348-05	2SC945(P,Q)	

PARTS LIST

Ref No. 参照番号	Parts No. 部品番号	Description 部品名 / 規格	Re- marks 備考	Ref No. 参照番号	Parts No. 部品番号	Description 部品名 / 規格	Re- marks 備考
Q5 -7	V01-0733-40	2SA733A(P,Q)		-	W01-0035-05	SCREW DRIVER	
Q8 ,9	V03-0348-05	2SC945(P,Q)		-	W01-0320-04	EP ADAPTER	*
Q12	V03-0348-05	2SC945(P,Q)					
Q13	V01-0733-40	2SA733A(P,Q)					
Q14	V03-0348-05	2SC945(P,Q)					
Q15	V04-0586-20	2SD586(R,Q)					
Q16	V01-0733-40	2SA733A(P,Q)					
Q17	V03-0348-05	2SC945(P,Q)					
Q18	V02-0616-10	2SB616(R,Q)					
Q19	V04-0586-20	2SD586(R,Q)					
Q20	V03-0348-05	2SC945(P,Q)					
Q21	V02-0616-10	2SB616(R,Q)					
Q22 ,23	V01-0733-40	2SA733A(P,Q)					
Q24 ,25	V03-0348-05	2SC945(P,Q)					
Q26	V01-0733-40	2SA733A(P,Q)					
Q27 ,28	V03-0348-05	2SC945(P,Q)					
TONARM ASS'Y							
301 1B	-	DRESS NUT ASSY					
302 1B	-	WEIGHT SHAFT					
303 1B	-	LIFTER BASE ASSY					
304 1B	-	TONER ARM REST ASSY					
305 1B	-	PIPE CATCH					
306 1B	-	IFC RING ASSY					
307 1B	-	PIVOT BEARING					
308 1B	-	CANCELLER WEIGHT					
309 1B	-	CANCELLER SCALE					
310 1B	-	SILICONE RUBBER					
311 1B	-	STEEL BALL					
312 1B	-	PAUSE CAM					
313 1B	-	PAUSE CAM NUT					
314 1B	-	LIFTER LEVER					
315 1B	-	LIFTER LEVER KNOB					
316 1B	-	ANGLE ADJUST SCREW					
317 1B	-	PULLEY SHAFT					
318 1B	-	PULLEY					
319 1B	-	PULLEY SCREW					
320 1B	-	ALUMINUM CAN					
351 1B	D40-0480-33	TONER ARM LIFTER ASSY	*				
352 1B	D91-0124-23	WEIGHT ASSY	*				
353 1B	D91-0128-24	SUB WEIGHT	*				
354 3D	E30-1336-05	AUDIO CORD ASSY	*				
-	H01-2381-03	CARTON BOX	*				
-	H10-2258-01	POLYSTYRENE FIXTURE(A)	*				
-	H10-2259-01	POLYSTYRENE FIXTURE(B)	*				
-	H25-0029-04	POLY BAG					
-	H25-0096-04	POLY BAG					
-	H25-0605-14	POLY BAG					
355 1B	J19-1943-24	LIFTER SUPPORT	*				
356 1B	J29-0315-24	STRING ASSY	*				
357 1B	J91-0131-22	TONER ARM ASSY	*				
358 1B	J92-0059-05	HEAD SHELL ASSY	*				
360 1B	J99-0206-14	FINGER ASSY	*				
-	K01-0303-04	DUST PLATTER KNOB	*				
364 1B	N19-0175-09	MOUNTING WASHER					
362 1B	N09-0850-05	MOUNTING SCREW					
362 1B	N09-0851-04	MOUNTING SCREW					
363 1B	N09-0874-04	SUPPORT SCREW					
363 1B	N09-0908-05	MOUNTING SCREW	*				
365 1B	N14-0412-04	MOUNTING NUT					

Note:

Component and circuitry are subject to modification to insure best operation under differing local conditions. This manual is based on the U.S.(K) standard, and provides information on regional circuit modification through use of alternate schematic diagrams, and information on regional component variations through use of parts list.

Region	Code
U.S.A.	K
Canada	P
PX	U
Australia	X
Europe	W
England	T
South Africa	S
Other Areas	M
Audio Club	H



✱

A product of
TRIO-KENWOOD CORPORATION
6-17, 3-chome Aobadai Meguro-ku Tokyo 153 Japan

KENWOOD ELECTRONICS, INC.

1315 E Watsoncenter Rd Carson California 90745, U S A
75 Seaview Drive, Secaucus, New Jersey 07094, U S.A.
1098 North Tower Lane, Bensenville, Illinois 60106 U S A

TRIO-KENWOOD ELECTRONICS, N.V.

Leuvensesteenweg 504 B-1930 Zaventem Belgium

TRIO-KENWOOD ELECTRONICS GmbH

Rodolf-Braas-Str. 20, 6056 Heusenstamm West Germany

TRIO-KENWOOD FRANCE S A

5, Boulevard Ney 75018 Paris, France

TRIO-KENWOOD SVENSKA AB

Kemistvagen 10A, S-183 21 Taby, Sweden

TRIO-KENWOOD (AUSTRALIA) PTY. LTD.

30 Whiting St., Artarmon, N.S.W. 2064 Australia

KENWOOD & LEE ELECTRONICS, LTD

Room 501 Wang Kee Building 5th Floor 34-37 Connaught Road, Central Hong Kong